

DVD PLAYER

DVD-S661

SERVICE MANUAL

For G model

This service manual is for the DVD-S661 (G model).

For the DVD-S661/DV-S6160 (U, K, A, L, P models) service manual, please refer to the following publication number:

DVD-S661/DV-S6160 (U, K, A, L, P models): 101050

IMPORTANT NOTICE

This manual has been provided for the use of authorized YAMAHA Retailers and their service personnel. It has been assumed that basic service procedures inherent to the industry, and more specifically YAMAHA Products, are already known and understood by the users, and have therefore not been restated.

WARNING: Failure to follow appropriate service and safety procedures when servicing this product may result in personal injury, destruction of expensive components, and failure of the product to perform as specified. For these reasons, we advise all YAMAHA product owners that any service required should be performed by an authorized YAMAHA Retailer or the appointed service representative.

IMPORTANT: The presentation or sale of this manual to any individual or firm does not constitute authorization, certification or recognition of any applicable technical capabilities, or establish a principle-agent relationship of any form.

The data provided is believed to be accurate and applicable to the unit(s) indicated on the cover. The research, engineering, and service departments of YAMAHA are continually striving to improve YAMAHA products. Modifications are, therefore, inevitable and specifications are subject to change without notice or obligation to retrofit. Should any discrepancy appear to exist, please contact the distributor's Service Division.

WARNING: Static discharges can destroy expensive components. Discharge any static electricity your body may have accumulated by grounding yourself to the ground buss in the unit (heavy gauge black wires connect to this buss).

IMPORTANT: Turn the unit OFF during disassembly and part replacement. Recheck all work before you apply power to the unit.

■ CONTENTS

| | | | |
|--|-----|------------------------------|-------|
| TO SERVICE PERSONNEL | 2-3 | DISASSEMBLY PROCEDURES | 8 |
| PREVENTION OF ELECTROSTATIC DISCHARGE | 4 | TEST MODE | 9 |
| LOCALE MANAGEMENT INFORMATION | 4 | BLOCK DIAGRAM | 10 |
| FRONT PANEL | 5 | WIRING DIAGRAM | 11 |
| REAR PANEL | 5 | PRINTED CIRCUIT BOARDS | 12-17 |
| REMOTE CONTROL PANEL | 5 | SCHEMATIC DIAGRAMS | 18-24 |
| SPECIFICATIONS | 6-7 | REPLACEMENT PARTS LIST | 26-27 |
| INTERNAL VIEW | 7 | REMOTE CONTROL | 27 |
| REPAIR NOTES | 7 | SCENE CONTROL | 28 |
| TRADE MODE | 7 | | |



このサービスマニュアルは、エコマーク認定の再生紙を使用しています。
This Service Manual uses recycled paper.

101047

© 2007 YAMAHA CORPORATION All rights reserved.
This manual is copyrighted by YAMAHA and may not be copied or
redistributed either in print or electronically without permission.



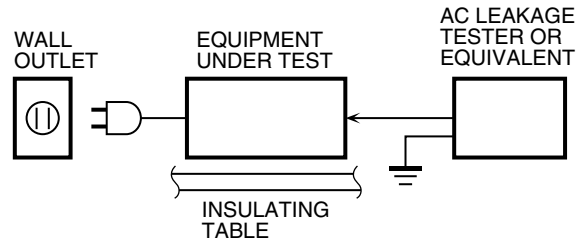
YAMAHA

YAMAHA CORPORATION
P.O.Box 1, Hamamatsu, Japan

'07.03

■ TO SERVICE PERSONNEL

1. Critical Components Information
Components having special characteristics are marked \triangle and must be replaced with parts having specifications equal to those originally installed.
 2. Leakage Current Measurement (For 120V Models Only)
When service has been completed, it is imperative to verify that all exposed conductive surfaces are properly insulated from supply circuits.
- Meter impedance should be equivalent to 1500 ohms shunted by 0.15 μ F.



- Leakage current must not exceed 0.5mA.
- Be sure to test for leakage with the AC plug in both polarities.

WARNING: CHEMICAL CONTENT NOTICE!

The solder used in the production of this product contains LEAD. In addition, other electrical/electronic and/or plastic (where applicable) components may also contain traces of chemicals found by the California Health and Welfare Agency (and possibly other entities) to cause cancer and/or birth defects or other reproductive harm.

DO NOT PLACE SOLDER, ELECTRICAL/ELECTRONIC OR PLASTIC COMPONENTS IN YOUR MOUTH FOR ANY REASON WHATSOEVER!

Avoid prolonged, unprotected contact between solder and your skin! When soldering, do not inhale solder fumes or expose eyes to solder/flux vapor!

If you come in contact with solder or components located inside the enclosure of this product, wash your hands before handling food.

WARNING: Laser Safety

This product contains a laser beam component. This component may emit invisible, as well as visible radiation, which may cause eye damage. To protect your eyes and skin from laser radiation, the following precautions must be used during servicing of the unit.

- 1) When testing and/or repairing any component within the product, keep your eyes and skin more than 30 cm away from the laser pick-up unit at all times. Do not stare at the laser beam at any time.
- 2) Do not attempt to readjust, disassemble or repair the laser pick-up, unless noted elsewhere in this manual.
- 3) CAUTION : Use of controls, adjustments or performance of procedures other than those specified herein may result in hazardous radiation exposure.

Laser Emitting conditions:

- 1) When the Top Cover is removed, and the STANDBY/ON SW is turned to the "ON" position, the laser component will emit a beam for several seconds to detect if a disc is present. During this time (5-10 sec.) the laser may radiate through the lens of the laser pick-up unit. Do not attempt any servicing during this period!
If no disc is detected, the laser will stop emitting the beam. When a disc is loaded, you will not be exposed to any laser emissions.
- 2) The laser power level can be adjusted with the VR on the pick-up PWB, however, this level has been set by the factory prior to shipping from the factory. Do not adjust this laser level control unless instruction is provided elsewhere in this manual. Adjustment of this control can increase the laser emission level from the device.

Laser Diode Properties

| | |
|------------------|---------------------------------|
| Type: | Semiconductor laser GaAlAs |
| Wave length: | 650 nm (DVD) 780 nm (VCD/CD) |
| Output Power: | 7 mW (DVD) 10 mW (VCD/CD) |
| Beam divergence: | 60 degree |

WARNING

The use of optical instruments with this product will increase eye hazard.

Repair handling should take place as much as possible with a disc loaded inside the player.

CAUTION

VISIBLE AND INVISIBLE LASER RADIATION WHEN OPEN. AVOID EXPOSURE TO BEAM.

ADVARSEL

SYNLIG OG USYNLIG LASERSTRÅLING VED ÅBNING. UNDGÅ UDSÆTTELSE FOR STRÅLING.

ADVARSEL

SYNLIG OG USYNLIG LASERSTRÅLING NÅR DEKSEL ÅPNES. UNNGÅ EKSPONERING FOR STRÅLEN.

VARNING

SYNLIG OCH OSYNLIG LASERSTRÅLNING NÅR DENNA DEL ÄR ÖPPNAD. BETRakta EJ STRÅLEN.

VARO!

AVATTAESSA OLET ALTTIINA NÄKYVÄLLE JA NÄKYMÄTTÖMÄLLE LASER SÄ TEILYLLE. ÄLÄ KATSO SÄTEESEEN.

VORSICHT

SICHTBARE UND UNSICHTBARE LASERSTRAHLUNG WENN ABDECKUNG GEÖFFNET. NICHT DEM STRAHL AUSSETZEN.

DANGER

VISIBLE AND INVISIBLE LASER RADIATION WHEN OPEN. AVOID DIRECT EXPOSURE TO BEAM.

ATTENTION

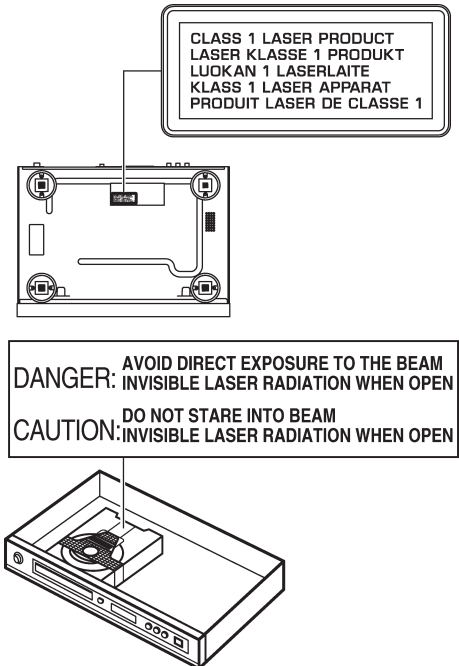
RAYONNEMENT LASER VISIBLE ET INVISIBLE EN CAS D'OUVERTURE. EXPOSITION DANGEREUSE AU FAISCEAU.

ПРЕДУПРЕЖДЕНИЕ

ПРИ ОТКРЫТИИ УСТРОЙСТВА ВЫ МОЖЕТЕ ПОДВЕРГНУТЬСЯ ВОЗДЕЙСТВИЮ ВИДИМОГО И НЕВИДИМОГО ЛАЗЕРНОГО ИЗЛУЧЕНИЯ. ИЗБЕГАЙТЕ ВОЗДЕЙСТВИЯ ЛУЧА.

OSTRZEŻENIE

WIDZIALNE I NIEWIDZIALNE PROMIENIOWANIE LASEROWE PO OTWARCIU. UNIKAĆ NARAŻENIA NA WIĄZKĘ LASEROWĄ.



Warning for power supply

The primary side of the power supply carries live mains voltage when the player is connected to the mains even when the player is switched off !

This primary area is not shielded so it is possible to touch copper tracks and/or components when servicing the player. Service personnel have to take precautions to prevent touching this area or components in this area.

Note:

The screws on the DVD mechanism may never be touched, removed or re-adjusted.

Handle the DVD mechanism with care when the unit has to be exchanged!

The DVD mechanism is very sensitive for dropping or giving shocks.

■ PREVENTION OF ELECTROSTATIC DISCHARGE

The laser diode in the DVD mechanism may be damaged due to static electricity from clothes or the human body. Use caution to prevent electrostatic damage when servicing or handling the DVD-mechanism.

1. Grounding for electrostatic damage prevention

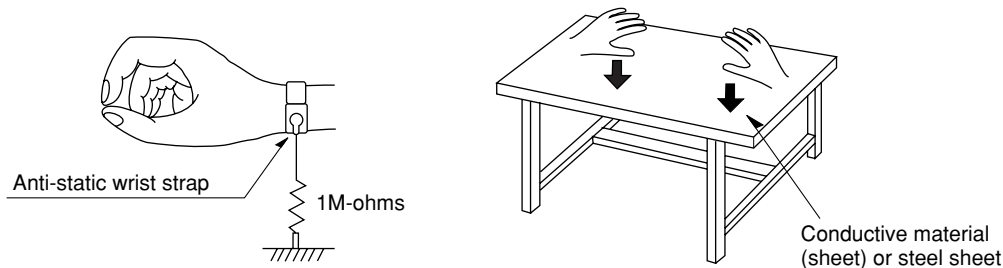
Some devices, such as the DVD player, use an optical pickup (laser diode) that will be damaged by static electricity in the working environment. Only attempt service after ensuring that all grounding procedures have been completed.

1. Worktable grounding

Put a grounded conductive material (sheet) or iron sheet on the area where the optical pickup is placed.

2. Human body grounding

Use an anti-static wrist strap to discharge the static electricity from your body.



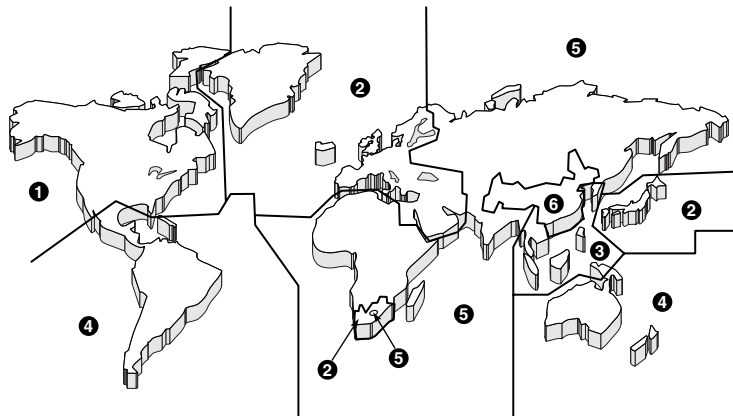
2. Handling Precautions for DVD mechanism

1. Handle the DVD mechanism gently, as it is an extremely high-precision assembly.
2. The flexible cable lines may break if an excessive force is applied to it. Use caution when handling the cable.
3. The semi-fixed resistor for laser power adjustment should not be adjusted. Do not turn the resistor.

■ LOCALE MANAGEMENT INFORMATION

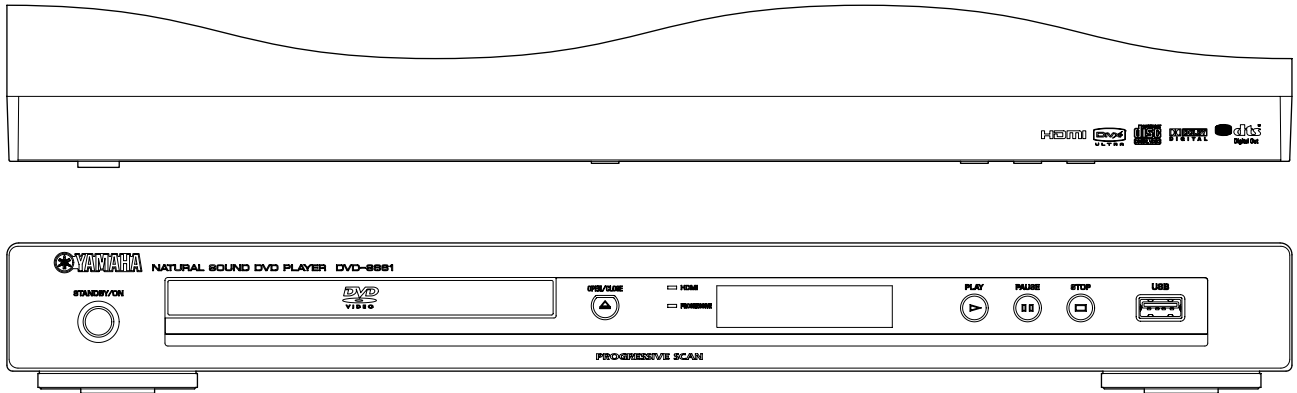
Locale Management Information : This DVD player is designed and manufactured to respond to the Locale Management Information that is recorded on a DVD disc. If the Locale number described on the DVD disc does not correspond to the Locale number of this DVD player, this DVD player cannot play this disc.

This product incorporates copyright protection technology that is protected by method claims of certain U.S. patents and other intellectual property rights owned by Macrovision Corporation and other rights owners. Use of this copyright protection technology must be authorized by Macrovision Corporation, and is intended for home and other limited viewing uses only unless otherwise authorized by Macrovision Corporation. Reverse engineering or disassembly is prohibited.



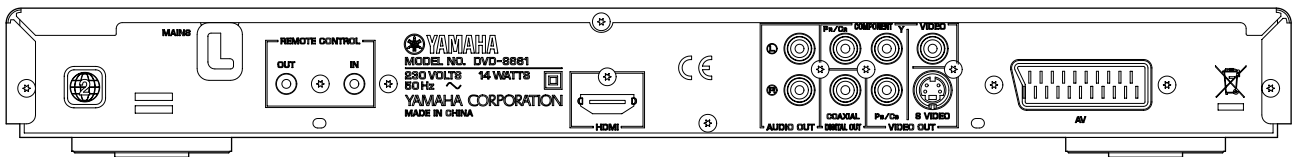
FRONT PANEL

G model

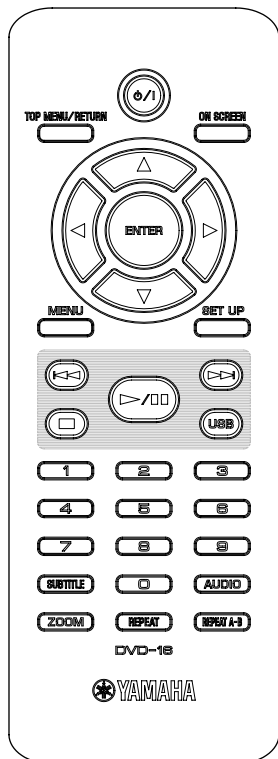


REAR PANEL

G model



REMOTE CONTROL PANEL



■ SPECIFICATIONS

PLAYBACK SYSTEM

| | |
|---|--|
| DVD Video, VR (Video Recording) format (DVD-RW) | |
| DVD-R, DVD-RW, DVD-R DL | |
| DVD+R, DVD+RW, DVD+R DL | |
| Video CD, SVCD | |
| CD | |
| PICTURE CD | |
| CD-R, CD-RW | |
| MP3 (ISO 9660) | fs 32, 44.1, 48 kHz / 96, 128, 256, 320 kbps (Constant bit rate) |
| WMA | fs 44.1 kHz, 62 to 192 kbps / fs 48 kHz, 128 to 192 kbps (Constant bit rate) |
| DivX | |
| JPEG | 3072 x 2048 dpi or less |

VIDEO PERFORMANCE

| | |
|------------------------|--|
| Video (CVBS) output | 1 Vpp into 75 ohms |
| S-Video output | Y: 1 Vpp into 75 ohms C: 0.3 Vpp into 75 ohms |
| Component video output | Y: 1 Vpp into 75 ohms PB/CB PR/CR: 0.7 Vpp into 75 ohms |
| RGB (SCART) output | Y: 0.7 Vpp into 75 ohms |
| HDMI upscaling | 576 p, 720 p, 1080 i |

AUDIO FORMAT

| | |
|--------------------------|---------------------------------------|
| Digital | |
| Dolby Digital, DTS, MPEG | Compressed digital |
| PCM | fs 44.1, 48, 96 kHz / 16, 20, 24 bits |
| Analog sound | Stereo |

AUDIO PERFORMANCE

| | |
|------------------------------|---|
| DA converter | 24 bits |
| Signal to noise (1 kHz) | 105 dB |
| Dynamic range (1 kHz) | 97 dB |
| DVD | fs 96 kHz 2 Hz to 44 kHz fs 48 kHz 2 Hz to 22 kHz |
| SVCD | fs 48 kHz 2 Hz to 22 kHz fs 44.1 kHz 2 Hz to 20 kHz |
| CD/VCD | fs 44.1 kHz 2 Hz to 20 kHz |
| Distortion and noise (1 kHz) | 0.0035 % |

MULTIMEDIA (USB) APPLICATIONS

| | |
|-------------------------------|---|
| Connections | USB mass storage class device |
| Playback formats (USB device) | |
| MP3 | fs 32, 44.1, 48 kHz / 96, 128, 256, 320 kbps |
| WMA | fs 44.1 kHz / 62 to 192 kbps fs 48 kHz / 128 to 192 kbps |
| DivX | 3 Mbps or less |
| JPEG | 3072 x 2048 dpi or less |

| | |
|---|--|
| Supported USB devices (FAT16 or FAT32 format) | FLASH memory Card reader (up to 6 slots) Portable audio player External hard disk drive (80 GB or less) |
|---|--|

TV STANDARD (PAL/50 Hz) (NTSC/60 Hz)

| | | |
|-----------------|--------------------------|-----|
| Number of lines | 625 | 525 |
| Playback | Multistandard (PAL/NTSC) | |

CONNECTIONS

| | |
|------------------------|--|
| Video output | RCA/Phono x 1 (yellow) |
| S-video output | Mini DIN, 4 pins x 1 |
| Component video output | |
| Y output | RCA/Phono x 1 (green) |
| PB/CB output | RCA/Phono x 1 (blue) |
| PR/CR output | RCA/Phono x 1 (red) |
| SCART | Euroconnector x 1 |
| Audio output (L+R) | RCA/Phono x 1 pair (white/red) |
| Digital output | |
| Coaxial | RCA/Phono x 1 IEC60958 for CDDA/LPCM / IEC61937 for MPEG 1/2, Dolby Digital and DTS |
| HDMI (HDMI 1.0) | Type A x 1 |
| USB | Type A x 1 |
| Remote control | |
| Input | 3.5 mm mini jack x 1 |
| Output | 3.5 mm mini jack x 1 |

GENERAL

| | |
|---------------------------|---|
| Dimensions (W x H x D) | 435 x 51 x 318 mm (17-1/8" x 2" x 12-1/2") |
| Weight | Approx. 2.6 Kg (5 lbs. 12 oz) |
| Finish | Black color Titanium color Silver color |
| Power supply | AC 230 V, 50 Hz |
| Power consumption | Approx. 14 W |
| Standby power consumption | Less than 1 W |

ACCESSORIES

| |
|------------------------------|
| Remote control x 1 |
| Battery (AAA, R03, UM-4) x 2 |
| Audio pin cable (1.5 m) x 1 |
| Video pin cable (1.5 m) x 1 |

* **Specifications are subject to change without prior notice.**

G European model

DOLBY DIGITAL Manufactured under license from Dolby Laboratories. "Dolby", "Pro Logic" and the double-D symbol are trademarks of Dolby Laboratories.

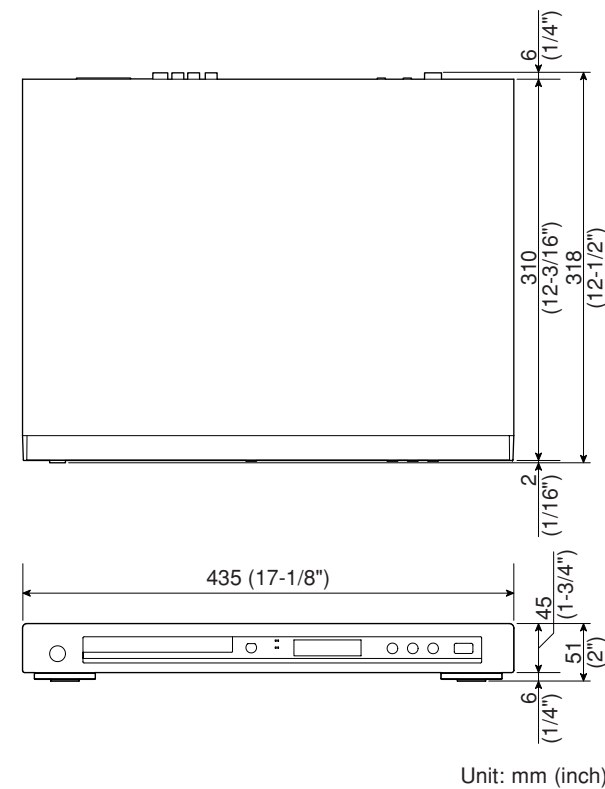
dts Digital Out "DTS" and "DTS Digital Out" are registered trademarks of DTS, Inc.

DIVX ULTRA HOME THEATER DIVX CERTIFIED VIDEO DivX, DivX Ultra Certified, and associated logos are trademarks of DivX, Inc. and are used under license.

HDMI HIGH DEFINITION MULTIMEDIA INTERFACE HDMI, the HDMI logo and High Definition Multimedia Interface are trademarks or registered trademarks of HDMI Licensing LLC.

This product incorporates copyright protection technology that is protected by method claims of certain U.S. patents and other intellectual property rights owned by Macrovision Corporation and other rights owners. Use of this copyright protection technology must be authorized by Macrovision Corporation, and is intended for home and other limited viewing uses only unless otherwise authorized by Macrovision Corporation. Reverse engineering or disassembly is prohibited.

• **DIMENSIONS**



■ **REPAIR NOTES**

None of the components of the following unit can be supplied separately. Each unit must be replaced as a whole in case of a failure.

- DVD Mechanism
- MONO P.C.B.
- FRONT P.C.B.
- AV P.C.B.
- Power Supply Unit

■ **TRADE MODE**

This unit provides TRADE mode which prevents the tray from opening even when the "OPEN/CLOSE" key is pressed.

• **Activating TRADE mode**

The power to the main unit should be turned on before activating the TRADE mode.

1. Press the "OPEN/CLOSE" key to open the tray. (Fig. 1)
2. Press the "2", "5" and "9" keys on the remote control in that order. (Fig. 2)
3. "TRA ON" is displayed and TRADE mode is activated. About 2 seconds later, the tray is closed automatically. (Fig. 3)

Notes)

- After activating TRADE mode, it is not possible to operate keys of the main unit as usual except the following key.
"STANDBY/ON" key (Turn on the power only)
But operation with the remote control is available as usual.
- After TRADE mode is activated, initial settings for repeat reproduction of this unit are as follows.
DVD : RPT TT (repeat title)
VCD/SVCD/CD : RPT ALL (repeat all)

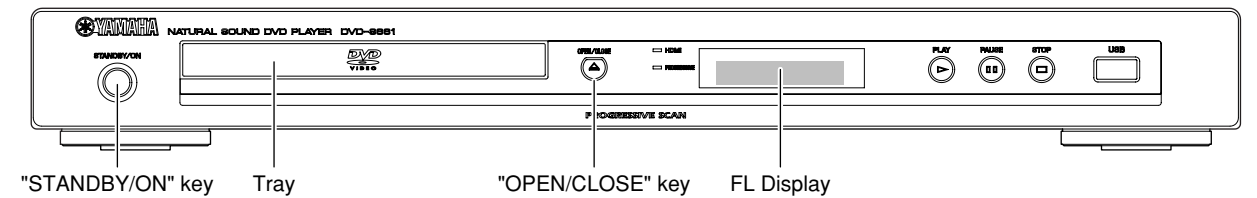
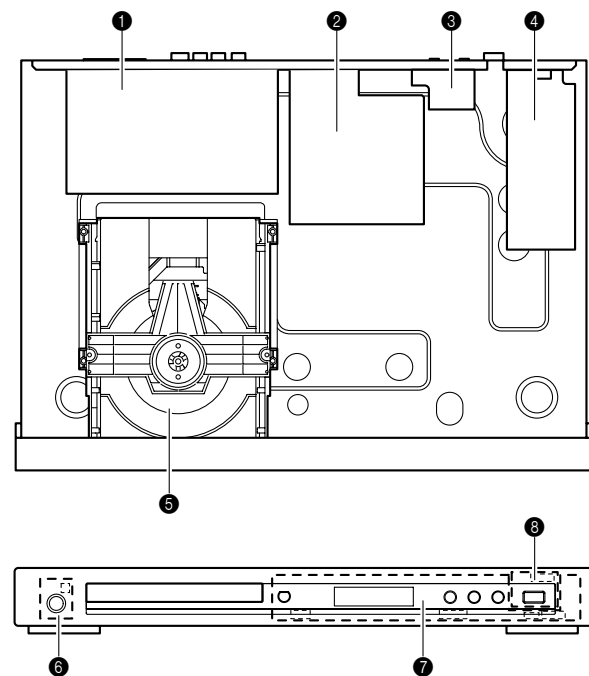


Fig. 1

■ **INTERNAL VIEW**



- ① AV P.C.B.
- ② MONO P.C.B.
- ③ FRONT (4) P.C.B.
- ④ Power Supply Unit
- ⑤ DVD Mechanism

- ⑥ FRONT (2) P.C.B.
- ⑦ FRONT (1) P.C.B.
- ⑧ FRONT (3) P.C.B.

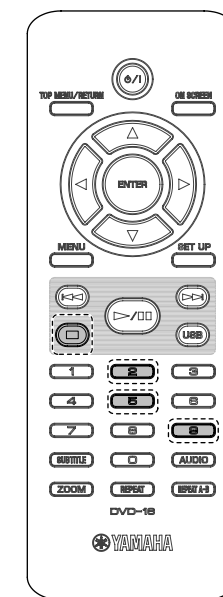
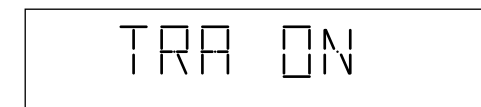


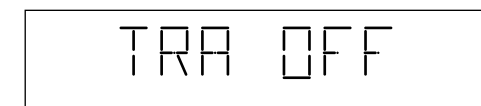
Fig. 2

TRADE mode display



Enter

Fig. 3



Cancel

Fig. 4

• **Canceling TRADE mode**

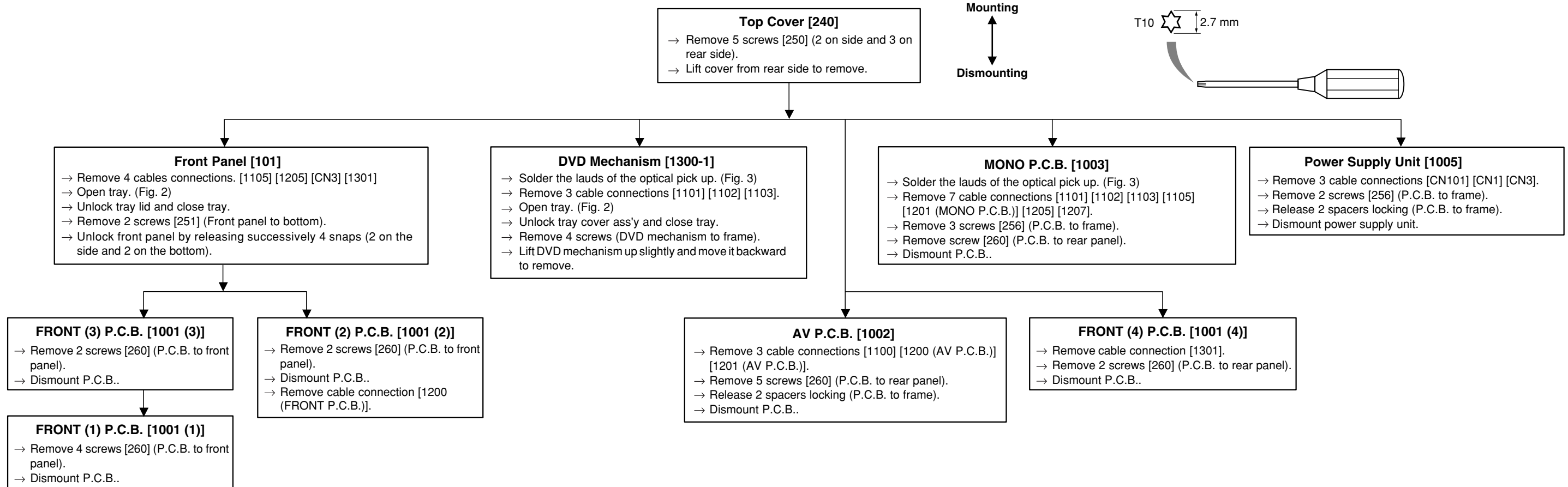
The power to the main unit should be turned on before canceling TRADE mode.

1. Press and hold the "STOP" key on the remote control. (Fig. 2)
The tray opens after about 2 second.
2. Press the "2", "5" and "9" keys on the remote control in that order. (Fig. 2)
3. "TRA OFF" is displayed and TRADE mode is cancelled. About 2 seconds later, the tray is closed automatically. (Fig. 4)

DISASSEMBLY PROCEDURES

See REPLACEMENT PARTS LIST for item numbers.

When disassembling, use the special screw driver with tip shape in figure.



● Cable connections

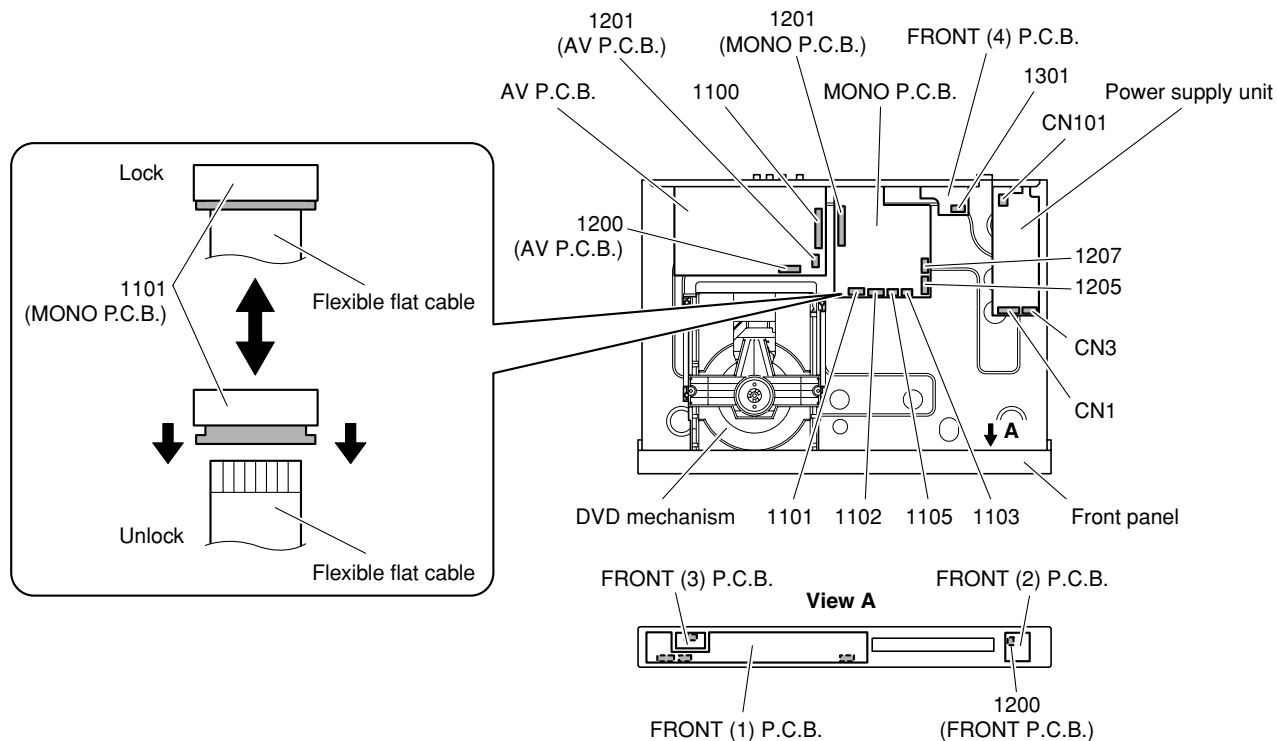


Fig. 1

● How to manually eject the tray

- Move the slider in the direction indicated with a screw driver until the tray is ejected.
- Gently pull the tray out.

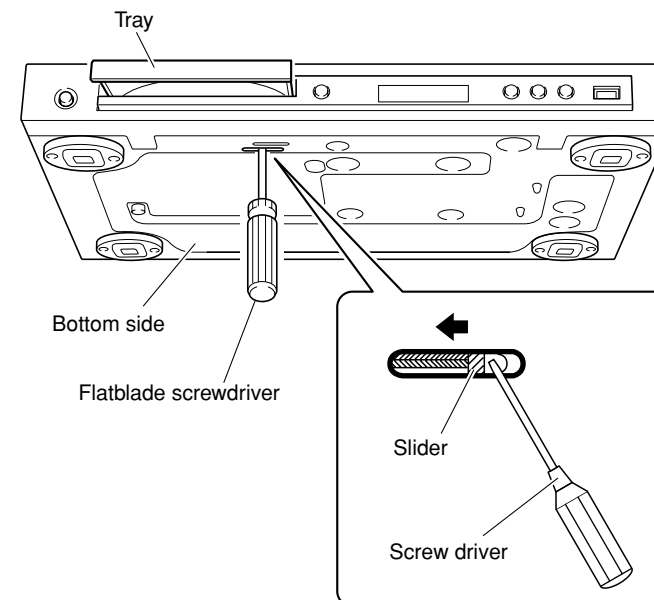


Fig. 2

● Preventive measure for laser diode from electrostatic breakdown

When replacing the MONO P.C.B. or DVD mechanism, solder between lands of the optical pick up P.C.B. to protect the laser diode against electrostatic breakdown.

Notes

- Use an anti-static soldering iron to short-circuit and unshort-circuit laser diode.
- After you have finished repairing, remove the solder from the short-circuit location.

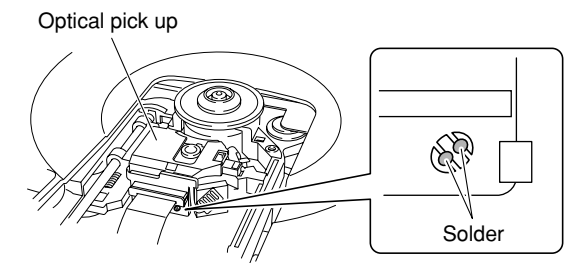


Fig. 3

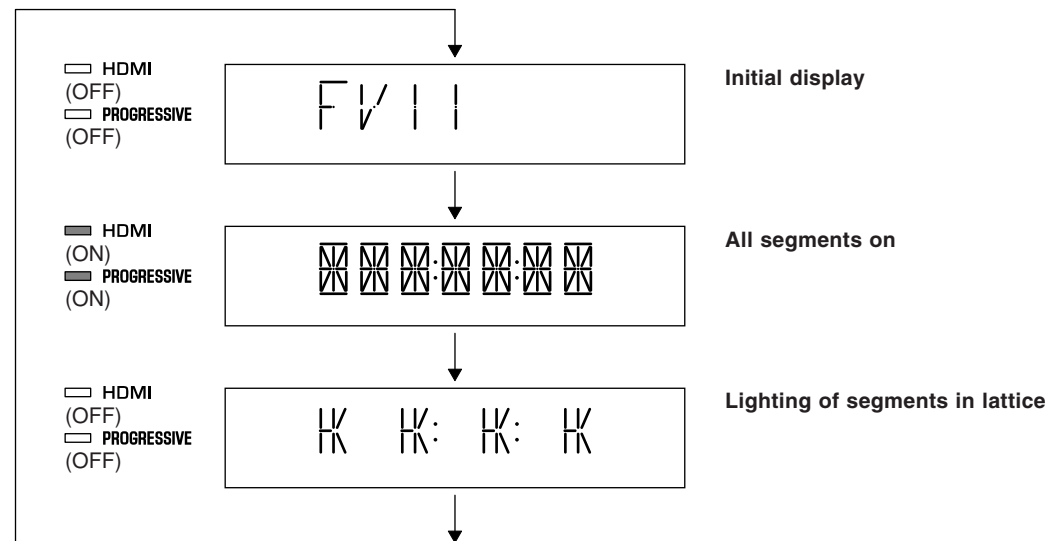
■ TEST MODE

• Starting Test Mode

- Connect the power cable to the AC power outlet.
- Press the "STANDBY/ON" key while simultaneously pressing "PAUSE" and "STOP" keys of the main unit.
At this time, keep pressing "PAUSE" and "STOP" keys for 8 seconds or longer.
- The "FV xx" (firmware version) is displayed.

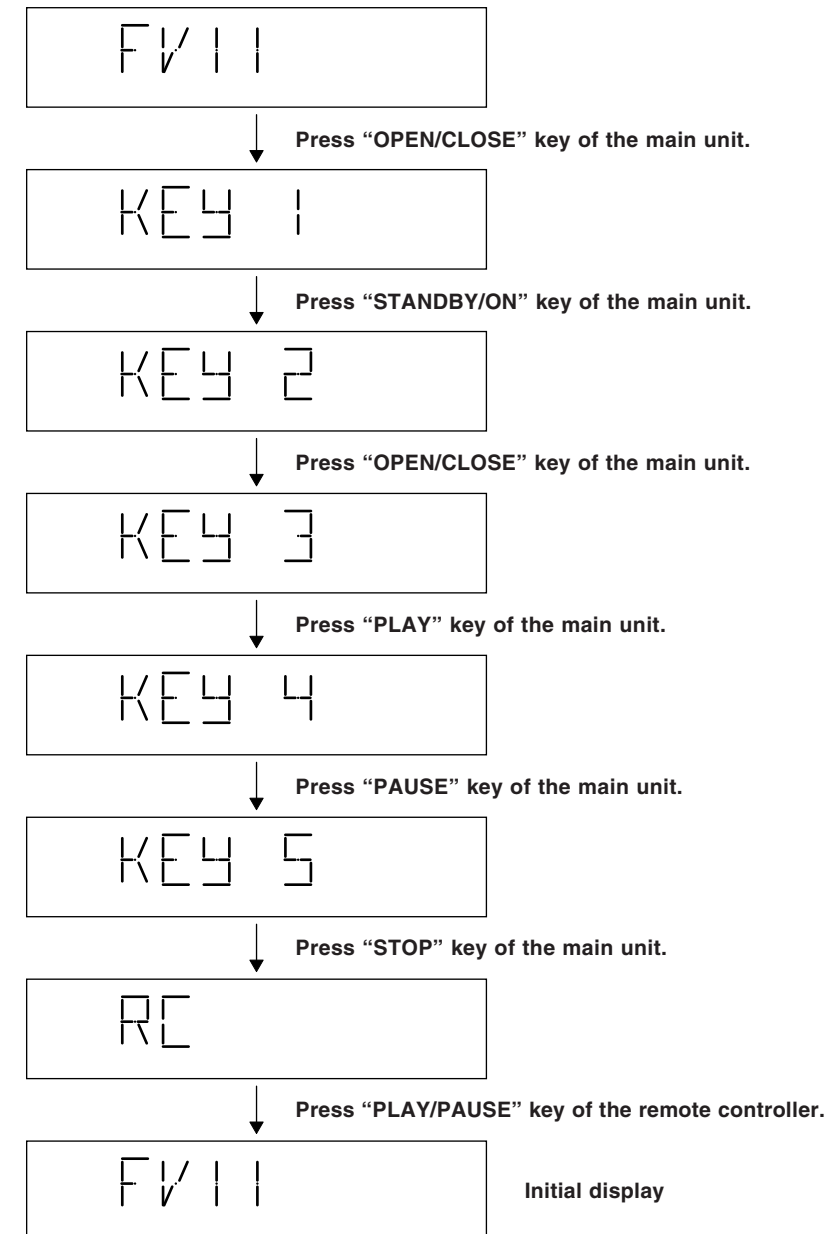
• Display Test

The display condition varies as shown below according to the "PLAY" key of the main unit.



• Panel Key Test

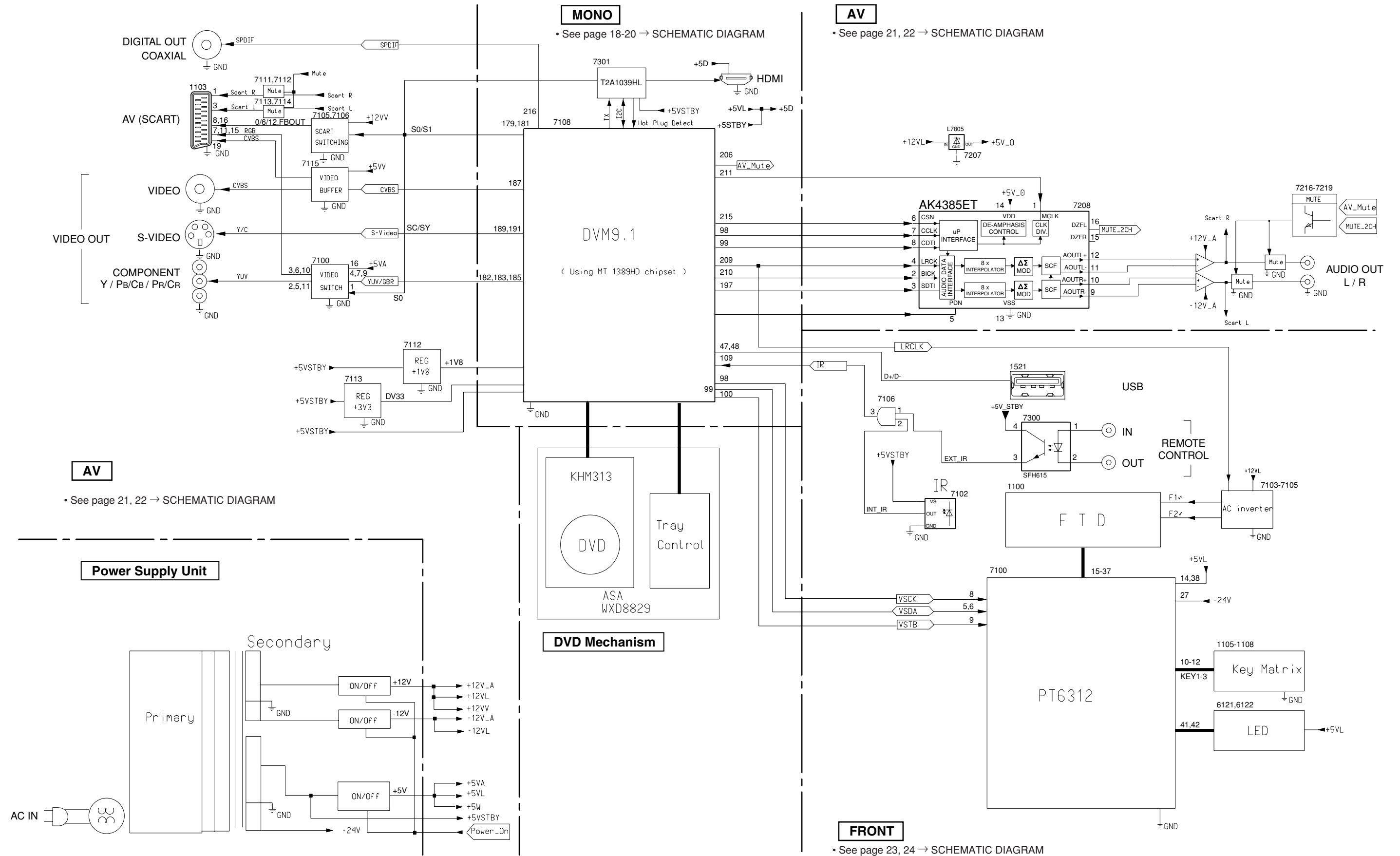
The display changes as shown below as the specified key is pressed.



• Canceling Test Mode

Disconnect the power cable from the AC power outlet.

BLOCK DIAGRAM



MONO

• See page 18-20 → SCHEMATIC DIAGRAM

AV

• See page 21, 22 → SCHEMATIC DIAGRAM

AV

• See page 21, 22 → SCHEMATIC DIAGRAM

Power Supply Unit

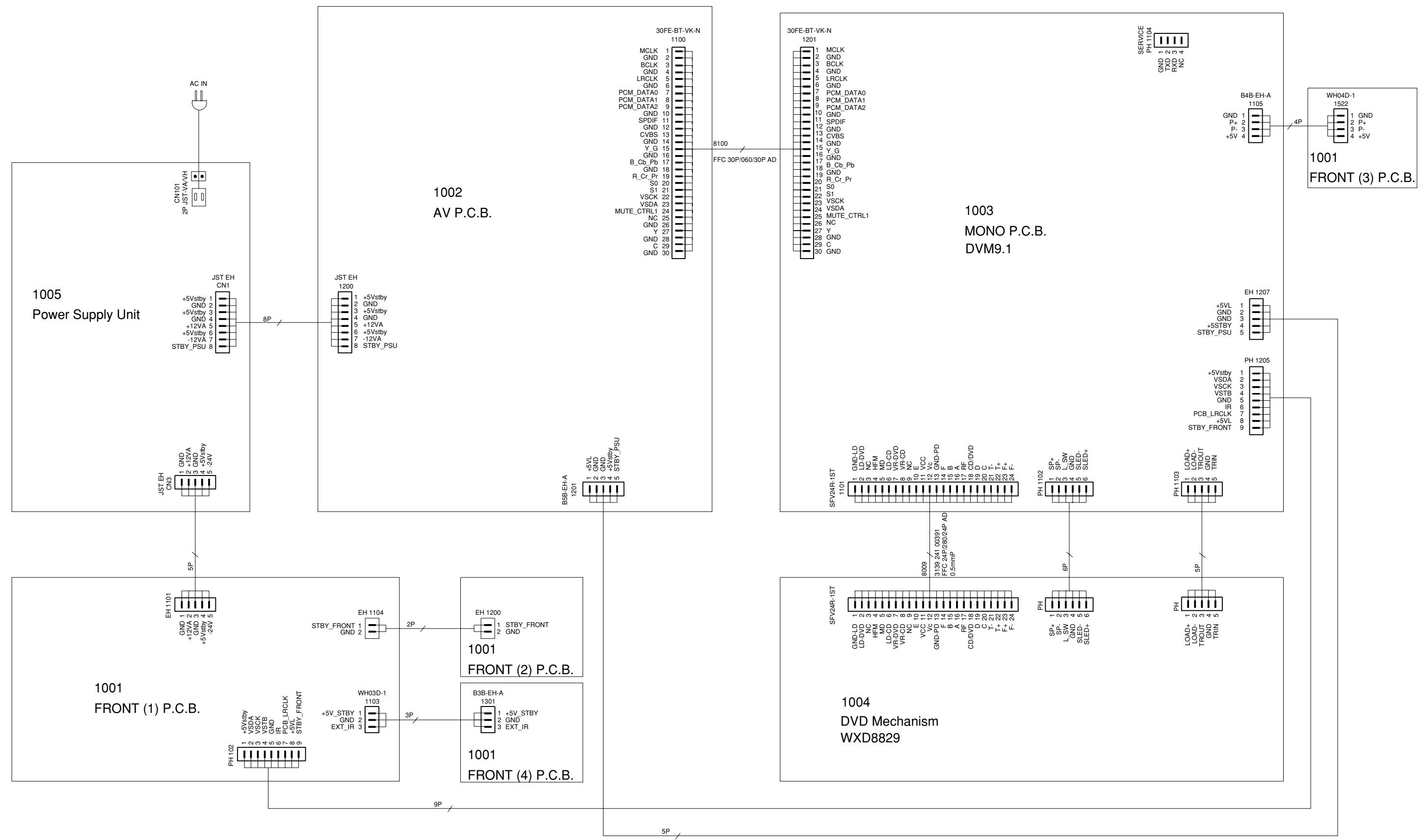
DVD Mechanism

FRONT

• See page 23, 24 → SCHEMATIC DIAGRAM

WIRING DIAGRAM

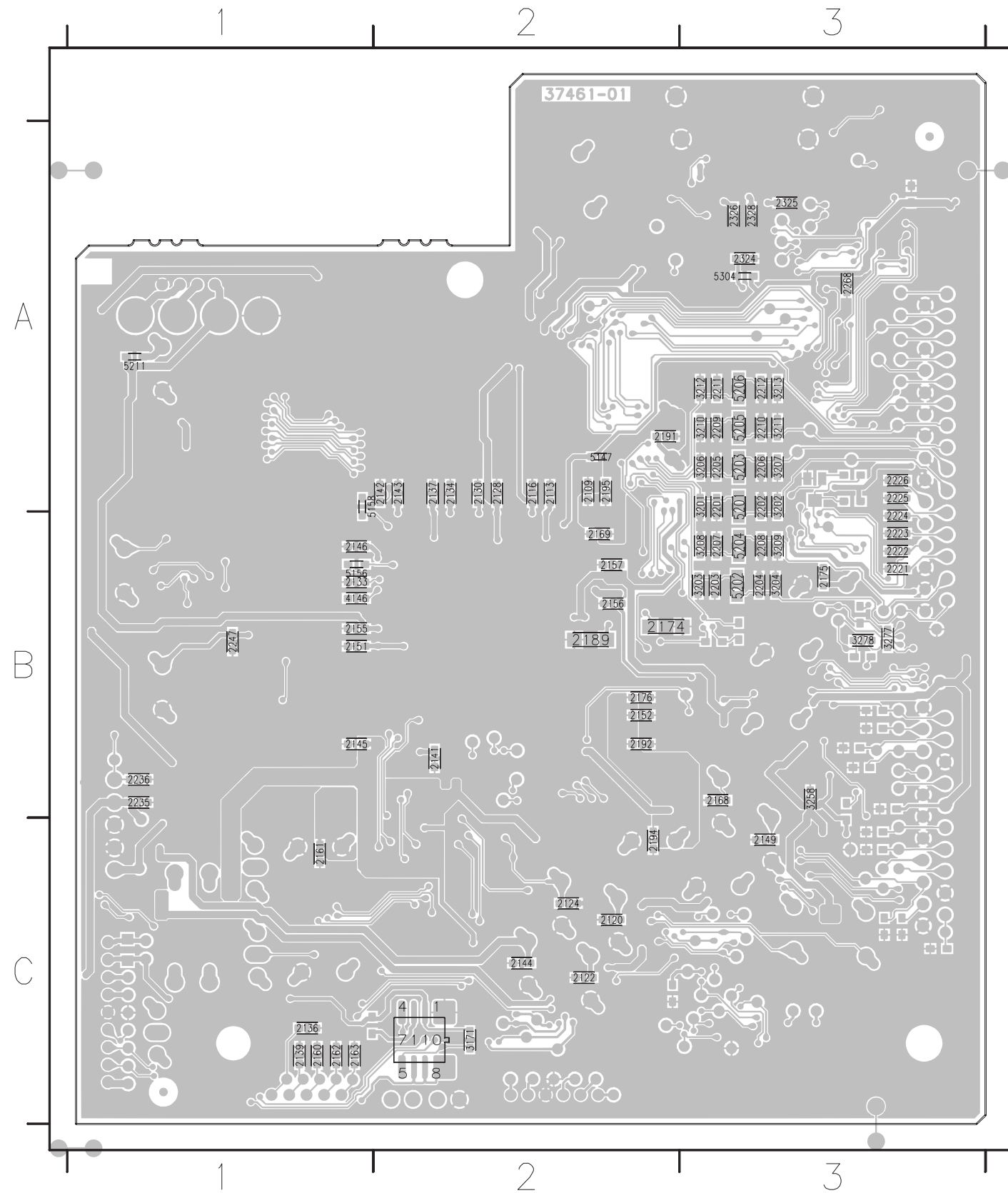
1
2
3
4
5
6
7



The first digit of a component indicates the component type.

1xxx : Connector 3xxx : Resistor 5xxx : Coil 7xxx : IC, Transistor, FET
 2xxx : Capacitor 4xxx : SMD jumper 6xxx : Diode 9xxx : Wire jumper

MONO (Bottom view)



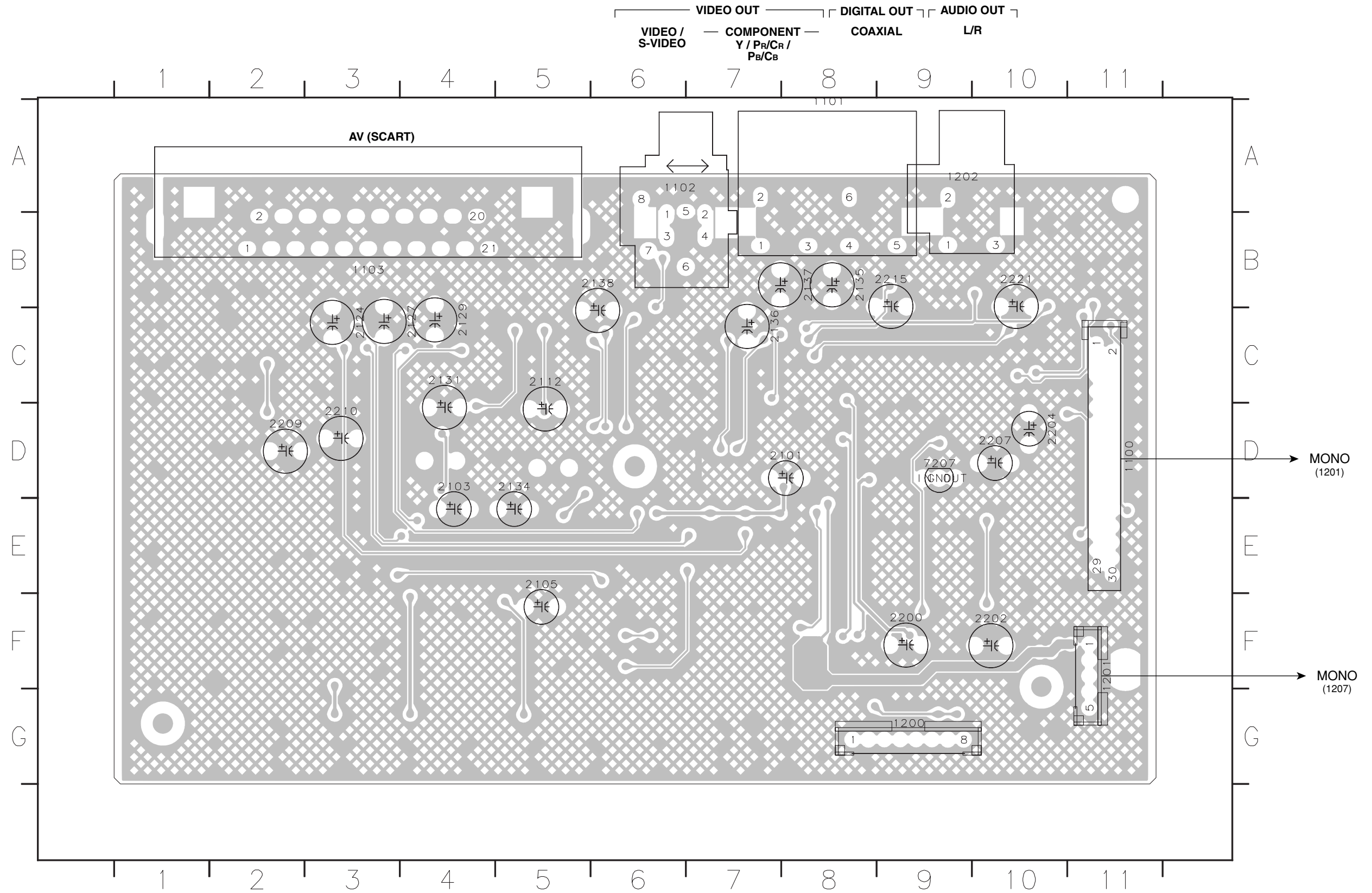
| | | | |
|------|----|------|----|
| 2109 | A2 | 2325 | A3 |
| 2113 | A2 | 2326 | A3 |
| 2116 | A2 | 2328 | A3 |
| 2120 | C2 | 3171 | C2 |
| 2122 | C2 | 3201 | A3 |
| 2124 | C2 | 3202 | A3 |
| 2128 | A2 | 3203 | B3 |
| 2130 | A2 | 3204 | B3 |
| 2133 | B1 | 3206 | A3 |
| 2134 | A2 | 3207 | A3 |
| 2136 | C1 | 3208 | B3 |
| 2137 | A2 | 3209 | B3 |
| 2139 | C1 | 3210 | A3 |
| 2141 | B2 | 3211 | A3 |
| 2142 | A2 | 3212 | A3 |
| 2143 | A2 | 3213 | A3 |
| 2144 | C2 | 3258 | B3 |
| 2145 | B1 | 3277 | B3 |
| 2146 | B1 | 3278 | B3 |
| 2149 | C3 | 4146 | B1 |
| 2151 | B1 | 5147 | A2 |
| 2152 | B2 | 5156 | B1 |
| 2155 | B1 | 5158 | A1 |
| 2156 | B2 | 5201 | A3 |
| 2157 | B2 | 5202 | B3 |
| 2160 | C1 | 5203 | A3 |
| 2161 | C1 | 5204 | B3 |
| 2162 | C1 | 5205 | A3 |
| 2163 | C1 | 5206 | A3 |
| 2168 | B3 | 5211 | A1 |
| 2169 | B2 | 5304 | A3 |
| 2174 | B2 | 7110 | C2 |
| 2175 | B3 | | |
| 2176 | B2 | | |
| 2176 | B2 | | |
| 2189 | B2 | | |
| 2191 | A2 | | |
| 2192 | B2 | | |
| 2194 | C2 | | |
| 2195 | A2 | | |
| 2201 | A3 | | |
| 2202 | A3 | | |
| 2203 | B3 | | |
| 2204 | B3 | | |
| 2205 | A3 | | |
| 2206 | A3 | | |
| 2207 | B3 | | |
| 2208 | B3 | | |
| 2209 | A3 | | |
| 2210 | A3 | | |
| 2211 | A3 | | |
| 2212 | A3 | | |
| 2221 | B3 | | |
| 2222 | B3 | | |
| 2223 | B3 | | |
| 2224 | B3 | | |
| 2225 | A3 | | |
| 2226 | A3 | | |
| 2235 | B1 | | |
| 2236 | B1 | | |
| 2247 | B1 | | |
| 2268 | A3 | | |
| 2324 | A3 | | |

The first digit of a component indicates the component type.

1xxx : Connector 3xxx : Resistor 5xxx : Coil 7xxx : IC, Transistor, FET
 2xxx : Capacitor 4xxx : SMD jumper 6xxx : Diode 9xxx : Wire jumper

AV (Top view)

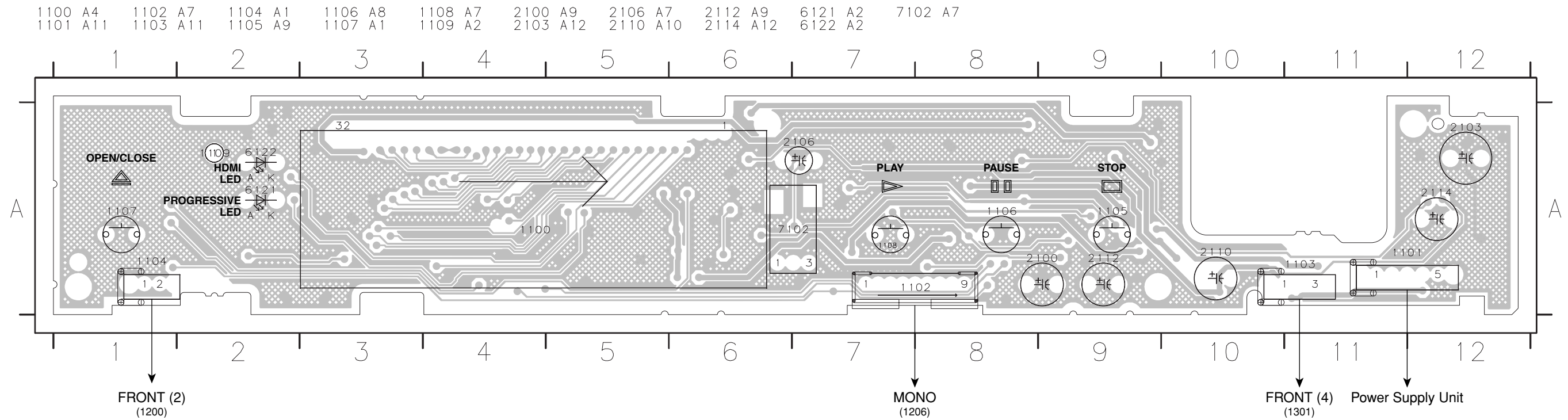
| | | | | | | | | | |
|----------|----------|---------|---------|---------|---------|---------|----------|---------|----------|
| 1100 D11 | 1103 B3 | 1202 A9 | 2105 E5 | 2127 C4 | 2134 D5 | 2137 B8 | 2202 F10 | 2209 D2 | 2221 B10 |
| 1101 A8 | 1200 G9 | 2101 D8 | 2112 C5 | 2129 C4 | 2135 D8 | 2138 B6 | 2204 D10 | 2210 D3 | 7207 D9 |
| 1102 A6 | 1201 F11 | 2103 D4 | 2124 C3 | 2131 C4 | 2136 C7 | 2200 F9 | 2207 D10 | 2215 B9 | |



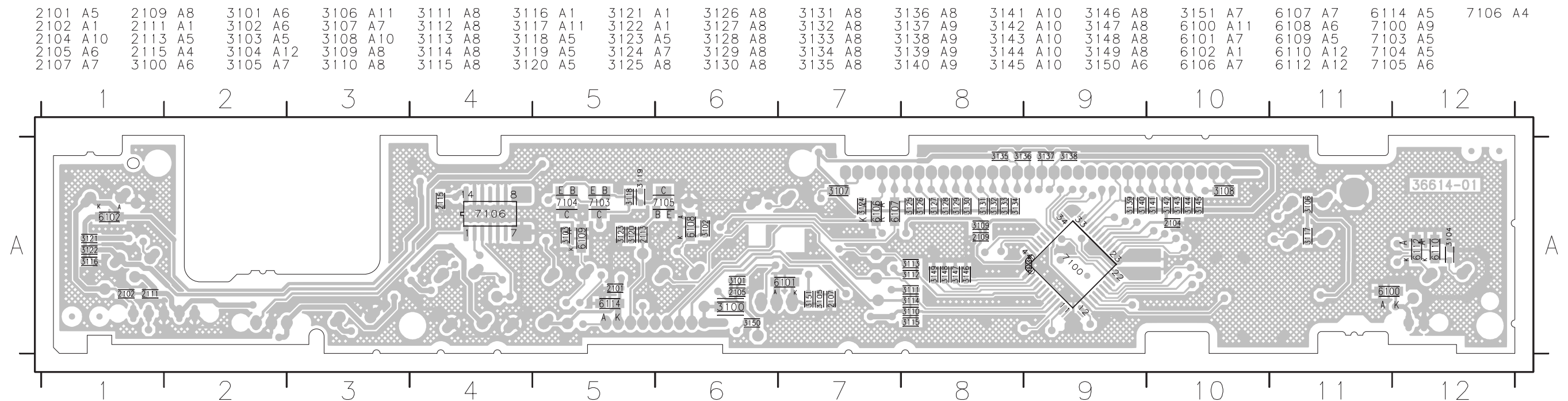
The first digit of a component indicates the component type.

- 1xxx : Connector 3xxx : Resistor 5xxx : Coil 7xxx : IC, Transistor, FET
- 2xxx : Capacitor 4xxx : SMD jumper 6xxx : Diode 9xxx : Wire jumper

FRONT (1) (Top view)



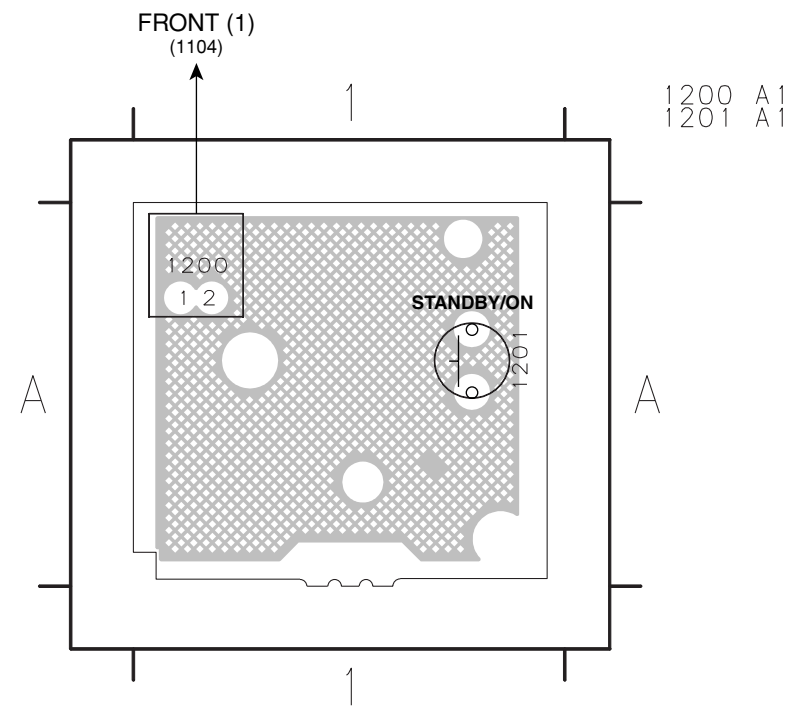
FRONT (1) (Bottom view)



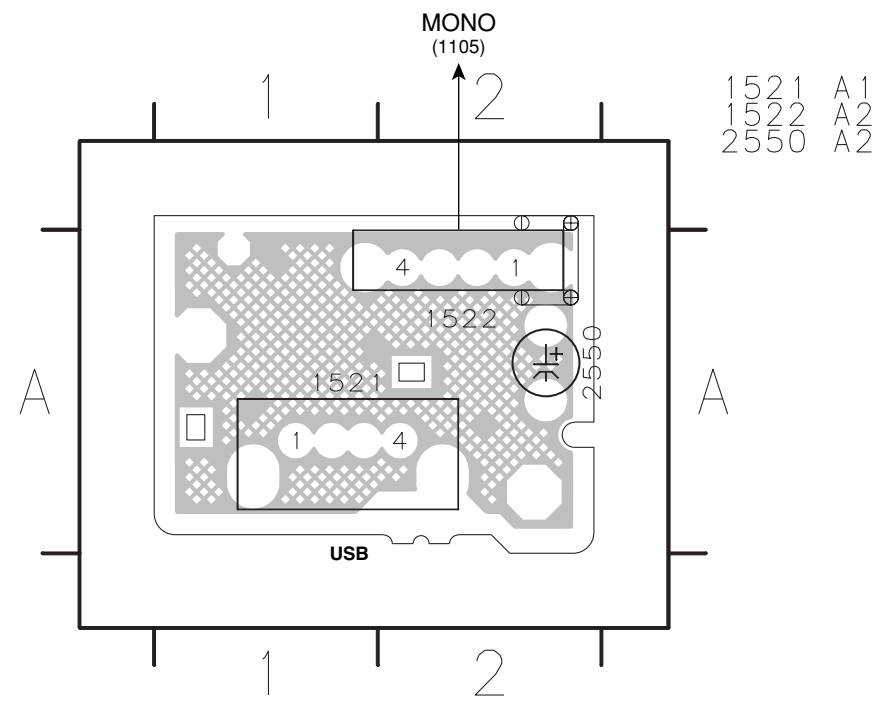
The first digit of a component indicates the component type.

1xxx : Connector 3xxx : Resistor 5xxx : Coil 7xxx : IC, Transistor, FET
 2xxx : Capacitor 4xxx : SMD jumper 6xxx : Diode 9xxx : Wire jumper

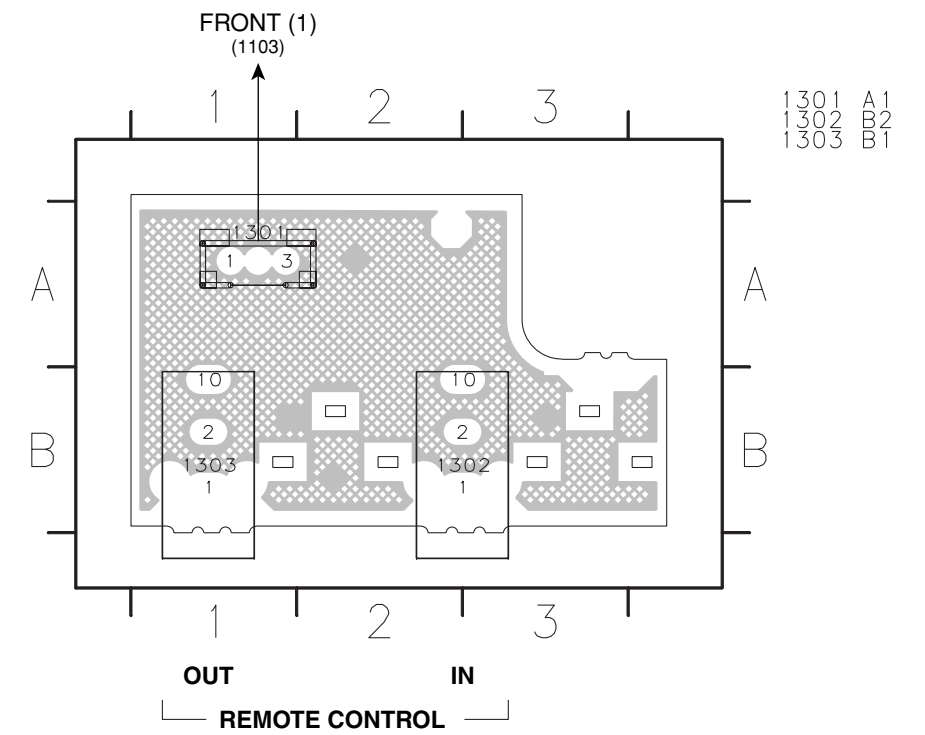
FRONT (2) (Top view)



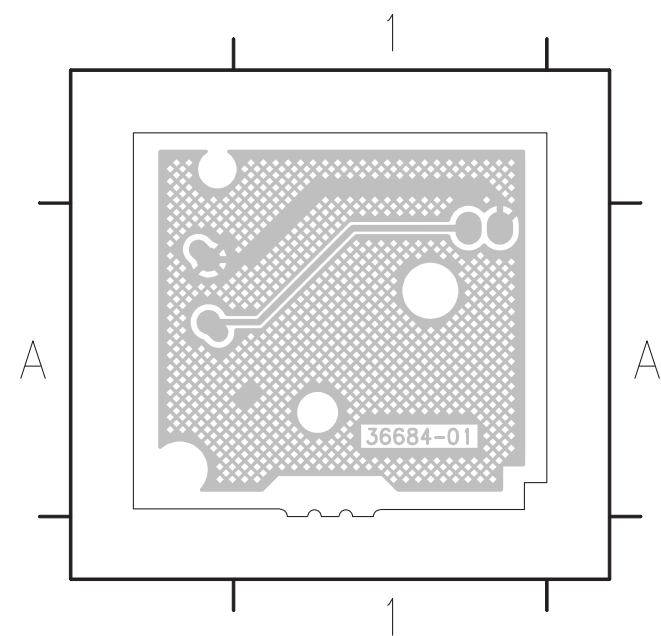
FRONT (3) (Top view)



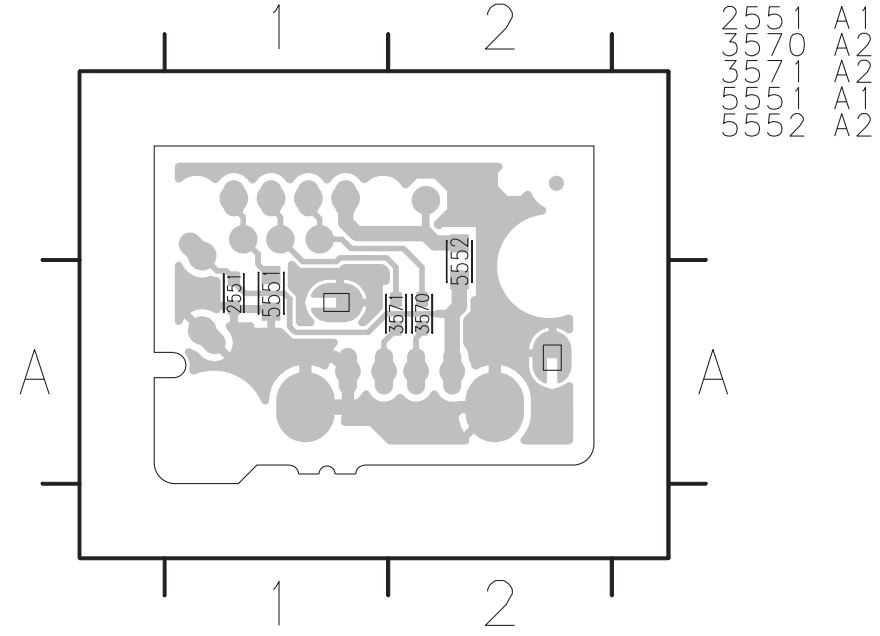
FRONT (4) (Top view)



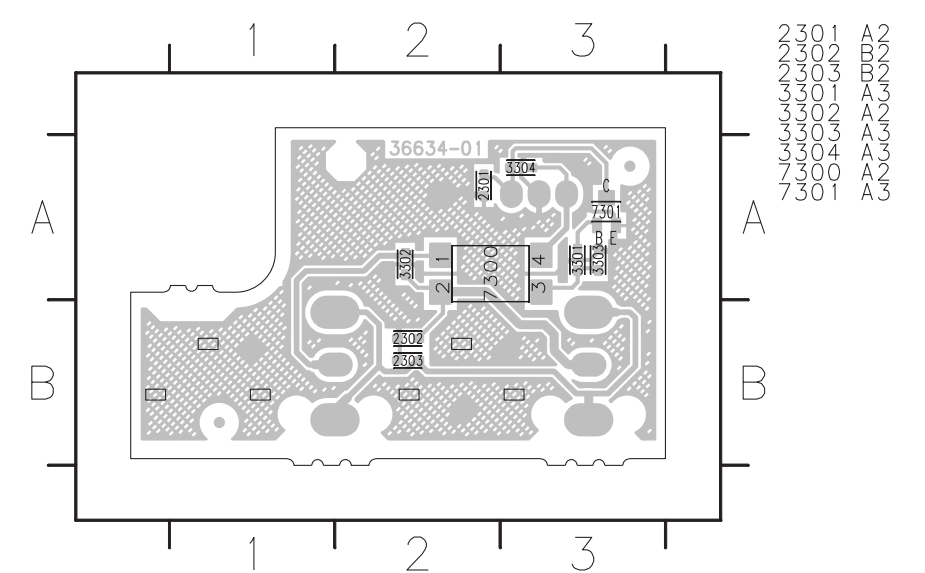
FRONT (2) (Bottom view)



FRONT (3) (Bottom view)



FRONT (4) (Bottom view)



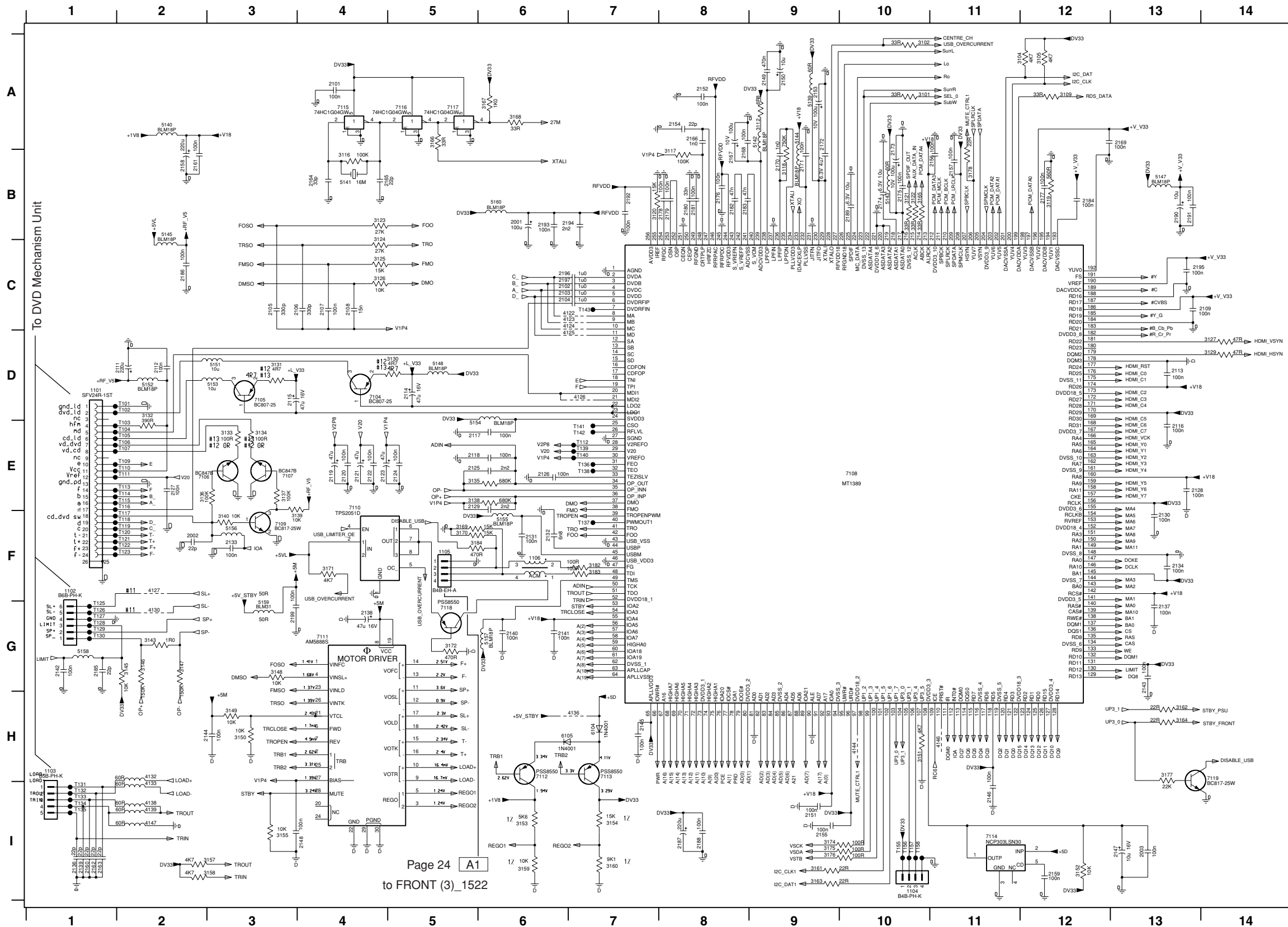
SCHEMATIC DIAGRAMS

FOR INFORMATION ONLY (NO SERVICE PARTS WILL BE AVAILABLE)

MONO 1/3

The first digit of a component indicates the component type.

- 1xxx : Connector
- 2xxx : Capacitor
- 3xxx : Resistor
- 4xxx : SMD jumper
- 5xxx : Coil
- 6xxx : Diode
- 7xxx : IC, Transistor, FET
- 8xxx : Diode
- 9xxx : Wire jumper



| | | |
|----------|----------|----------|
| 1101 D1 | 3121 B10 | T111 E2 |
| 1102 F1 | 3122 B10 | T112 E7 |
| 1103 H1 | 3123 B4 | T113 E2 |
| 1104 I10 | 3124 C4 | T114 E2 |
| 1105 F5 | 3125 C4 | T115 E2 |
| 1106 F6 | 3126 C4 | T116 E2 |
| 2001 B6 | 3127 D14 | T117 F2 |
| 2002 F2 | 3128 D14 | T118 F2 |
| 2003 I13 | 3130 D5 | T119 F2 |
| 2101 A4 | 3131 D3 | T120 F2 |
| 2102 C6 | 3132 D2 | T121 F2 |
| 2103 C6 | 3133 E3 | T122 F2 |
| 2104 C6 | 3134 E3 | T123 F2 |
| 2105 C3 | 3135 E5 | T125 G1 |
| 2106 C4 | 3136 E2 | T126 G1 |
| 2107 C4 | 3137 E3 | T127 G1 |
| 2108 C4 | 3138 E5 | T128 G1 |
| 2109 C14 | 3139 F3 | T129 G1 |
| 2111 D2 | 3140 F3 | T130 G1 |
| 2112 D2 | 3143 G2 | T131 I1 |
| 2113 D13 | 3145 G2 | T132 I1 |
| 2114 D5 | 3146 G2 | T133 I1 |
| 2115 D3 | 3147 G2 | T134 I1 |
| 2116 E13 | 3148 G3 | T135 I1 |
| 2117 E5 | 3149 H3 | T136 E7 |
| 2118 E5 | 3150 H3 | T137 F7 |
| 2119 E4 | 3151 H10 | T138 E7 |
| 2120 E4 | 3152 I12 | T139 E7 |
| 2121 E4 | 3153 I6 | T140 E7 |
| 2122 E4 | 3154 I7 | T141 E7 |
| 2123 E4 | 3155 I3 | T142 E7 |
| 2124 E5 | 3157 I3 | T143 C7 |
| 2125 E5 | 3158 I3 | T155 I10 |
| 2126 E6 | 3159 I6 | T156 I10 |
| 2127 E2 | 3160 I7 | T157 I10 |
| 2128 E13 | 3161 I9 | T158 I10 |
| 2129 E5 | 3162 H3 | |
| 2130 F13 | 3163 I9 | |
| 2131 F6 | 3164 H13 | |
| 2132 F6 | 3165 B10 | |
| 2133 F3 | 3166 A5 | |
| 2134 F13 | 3167 A6 | |
| 2136 I1 | 3168 A5 | |
| 2137 G13 | 3169 F5 | |
| 2138 G4 | 3170 F5 | |
| 2139 I1 | 3171 F4 | |
| 2140 G6 | 3172 G5 | |
| 2141 G6 | 3174 I9 | |
| 2142 G1 | 3175 I9 | |
| 2143 G13 | 3176 I9 | |
| 2144 H3 | 3177 H13 | |
| 2145 H7 | 3178 B11 | |
| 2146 I11 | 3182 F7 | |
| 2147 I13 | 3183 F7 | |
| 2148 I4 | 3184 F5 | |
| 2149 A9 | 4122 C7 | |
| 2150 A9 | 4123 C7 | |
| 2151 I9 | 4124 C7 | |
| 2152 A8 | 4125 D7 | |
| 2153 A9 | 4126 D7 | |
| 2154 A8 | 4127 F2 | |
| 2155 I9 | 4130 G2 | |
| 2156 B10 | 4132 H2 | |
| 2157 B11 | 4133 I2 | |
| 2158 B2 | 4136 H7 | |
| 2159 I12 | 4139 I2 | |
| 2160 I1 | 4139 I2 | |
| 2161 B2 | 4144 H10 | |
| 2162 I1 | 4146 H11 | |
| 2163 I1 | 4147 I2 | |
| 2164 B4 | 5139 A9 | |
| 2165 B5 | 5140 A2 | |
| 2166 A8 | 5141 B4 | |
| 2167 B8 | 5142 A9 | |
| 2168 B8 | 5143 B10 | |
| 2169 A13 | 5144 A9 | |
| 2170 B9 | 5145 A9 | |
| 2171 B9 | 5147 B13 | |
| 2172 A9 | 5148 D5 | |
| 2173 B10 | 5151 D3 | |
| 2174 B10 | 5152 D2 | |
| 2175 B10 | 5153 D3 | |
| 2176 B8 | 5154 D5 | |
| 2177 B12 | 5155 F6 | |
| 2178 B8 | 5156 F3 | |
| 2179 B8 | 5157 G6 | |
| 2180 B8 | 5158 G1 | |
| 2181 B8 | 5159 G3 | |
| 2182 B8 | 5160 B6 | |
| 2183 B8 | 6104 H7 | |
| 2184 B12 | 6105 H6 | |
| 2185 G1 | 7104 D4 | |
| 2186 C2 | 7105 D3 | |
| 2187 I8 | 7106 E2 | |
| 2188 I8 | 7107 E2 | |
| 2189 B10 | 7108 E10 | |
| 2190 B13 | 7109 F3 | |
| 2191 B13 | 7110 E4 | |
| 2192 B7 | 7111 G4 | |
| 2193 B6 | 7112 H6 | |
| 2194 B6 | 7113 H7 | |
| 2195 C13 | 7114 H11 | |
| 2196 C6 | 7115 A4 | |
| 2197 C6 | 7116 A5 | |
| 2199 G3 | 7117 A5 | |
| 3101 A10 | 7118 G5 | |
| 3102 A10 | 7119 H14 | |
| 3104 A12 | T101 D2 | |
| 3105 A12 | T102 D2 | |
| 3109 A12 | T103 E2 | |
| 3112 A9 | T104 E2 | |
| 3116 B4 | T105 E2 | |
| 3117 B8 | T106 E2 | |
| 3118 B9 | T107 E2 | |
| 3119 B12 | T109 E2 | |
| 3120 B7 | T110 E2 | |

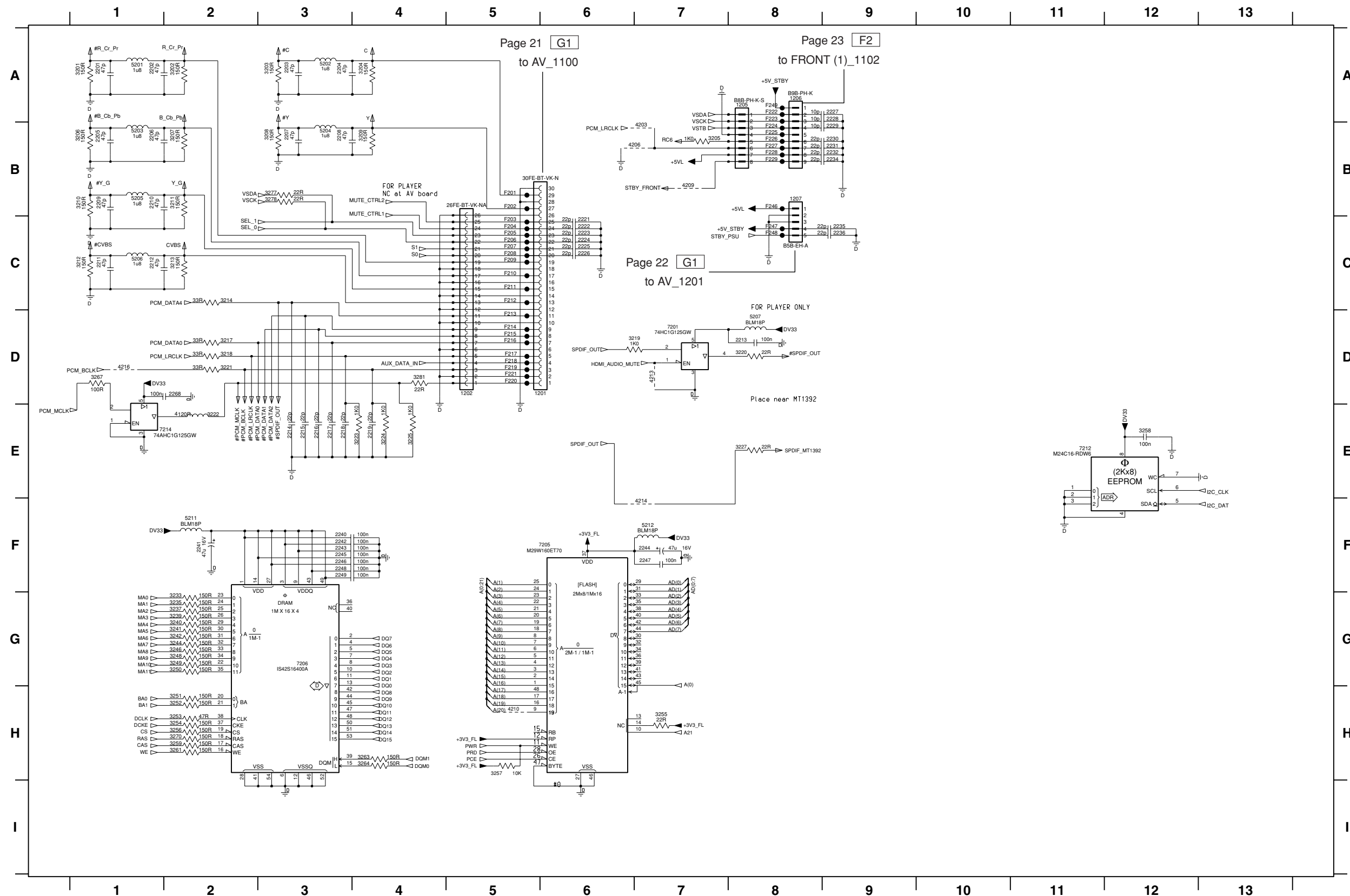
Page 24 A1 to FRONT (3)_1522

★ Components having special characteristics are marked Δ and must be replaced with parts having specifications equal to those originally installed.
 ★ Schematic diagram is subject to change without notice.

The first digit of a component indicates the component type.

1xxx : Connector 3xxx : Resistor 5xxx : Coil 7xxx : IC, Transistor, FET
 2xxx : Capacitor 4xxx : SMD jumper 6xxx : Diode 9xxx : Wire jumper

MONO 2/3



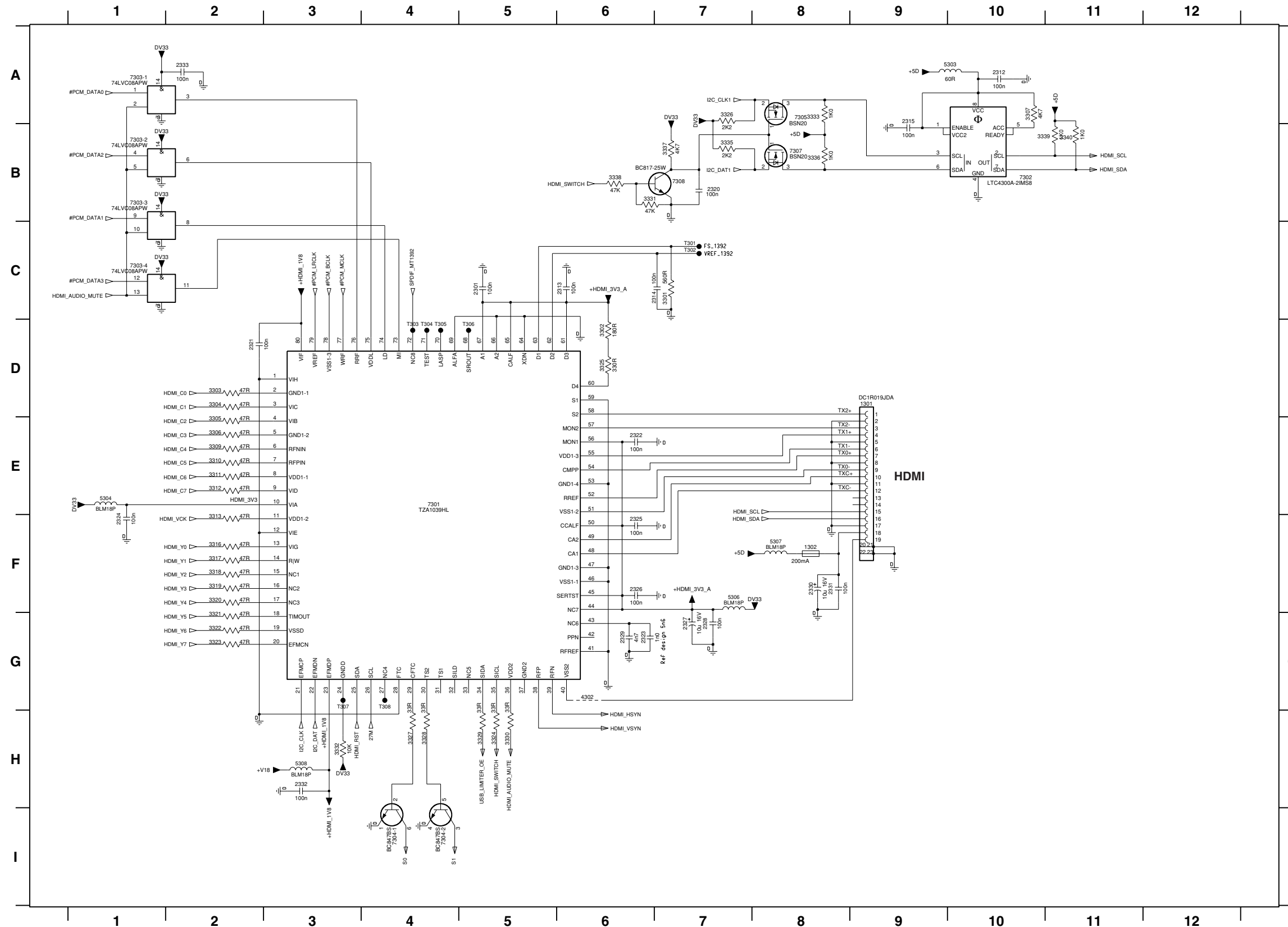
| | |
|----------|----------|
| 1201 D6 | 4203 B7 |
| 1202 D6 | 4206 B7 |
| 1204 A11 | 4209 B7 |
| 1205 A8 | 4210 H5 |
| 1206 A8 | 4213 D7 |
| 1207 B8 | 4214 F7 |
| 1208 A12 | 4216 D1 |
| 2201 A1 | 5201 A1 |
| 2202 A1 | 5202 A3 |
| 2203 A3 | 5203 B1 |
| 2204 A3 | 5204 B3 |
| 2205 B1 | 5205 B1 |
| 2206 B1 | 5206 C1 |
| 2207 B3 | 5207 D8 |
| 2208 B3 | 5211 F2 |
| 2209 B1 | 5212 F7 |
| 2210 B1 | 7201 D7 |
| 2211 C1 | 7205 F5 |
| 2212 C1 | 7206 G3 |
| 2213 D8 | 7212 E11 |
| 2214 E3 | 7214 E2 |
| 2215 E3 | F201 B5 |
| 2216 E3 | F202 B5 |
| 2217 E3 | F203 C5 |
| 2218 E3 | F204 C5 |
| 2219 E4 | F205 C5 |
| 2221 C6 | F206 C5 |
| 2222 C6 | F207 C5 |
| 2223 C6 | F208 C5 |
| 2224 C6 | F209 C5 |
| 2225 C6 | F210 C5 |
| 2226 C6 | F211 C5 |
| 2227 A9 | F212 C5 |
| 2228 A9 | F213 D5 |
| 2229 B9 | F214 D5 |
| 2230 B9 | F215 D5 |
| 2231 B9 | F216 D5 |
| 2232 B9 | F217 D5 |
| 2234 B9 | F218 D5 |
| 2235 C9 | F219 D5 |
| 2236 C9 | F220 D5 |
| 2240 F3 | F221 D5 |
| 2241 F2 | F222 A8 |
| 2242 F3 | F223 A8 |
| 2243 F3 | F224 B8 |
| 2244 F7 | F225 B8 |
| 2245 F3 | F226 B8 |
| 2246 F3 | F227 B8 |
| 2247 F7 | F228 B8 |
| 2248 F3 | F229 B8 |
| 2249 F3 | F230 A12 |
| 2266 B13 | F231 A12 |
| 2267 B13 | F232 A12 |
| 2268 D2 | F233 B12 |
| 2269 A13 | F234 B12 |
| 3201 A1 | F235 B12 |
| 3202 A2 | F236 B12 |
| 3203 A3 | F237 B12 |
| 3204 A4 | F238 C12 |
| 3205 B7 | F239 B12 |
| 3206 B1 | F240 B12 |
| 3207 B2 | F241 B12 |
| 3208 B3 | F242 B12 |
| 3209 B4 | F243 B12 |
| 3210 B1 | F244 C11 |
| 3211 B2 | F245 B12 |
| 3212 C1 | F246 B8 |
| 3213 C2 | F247 C8 |
| 3214 C2 | F248 C8 |
| 3217 D2 | F249 A8 |
| 3218 D2 | |
| 3219 D7 | |
| 3220 D8 | |
| 3221 D2 | |
| 3222 E2 | |
| 3223 E4 | |
| 3224 E4 | |
| 3225 E4 | |
| 3227 E8 | |
| 3233 G2 | |
| 3235 G2 | |
| 3237 G2 | |
| 3239 G2 | |
| 3240 G2 | |
| 3241 G2 | |
| 3242 G2 | |
| 3244 G2 | |
| 3246 G2 | |
| 3248 G2 | |
| 3249 G2 | |
| 3250 G2 | |
| 3251 H2 | |
| 3252 H2 | |
| 3253 H2 | |
| 3254 H2 | |
| 3255 H7 | |
| 3256 H2 | |
| 3257 H5 | |
| 3258 E12 | |
| 3259 H2 | |
| 3261 H2 | |
| 3263 H4 | |
| 3264 H4 | |
| 3267 D1 | |
| 3270 H2 | |
| 3277 B3 | |
| 3278 B3 | |
| 3281 D4 | |

* Components having special characteristics are marked Δ and must be replaced with parts having specifications equal to those originally installed.
 * Schematic diagram is subject to change without notice.

MONO 3/3

The first digit of a component indicates the component type.

1xxx : Connector 3xxx : Resistor 5xxx : Coil 7xxx : IC, Transistor, FET
 2xxx : Capacitor 4xxx : SMD jumper 6xxx : Diode 9xxx : Wire jumper



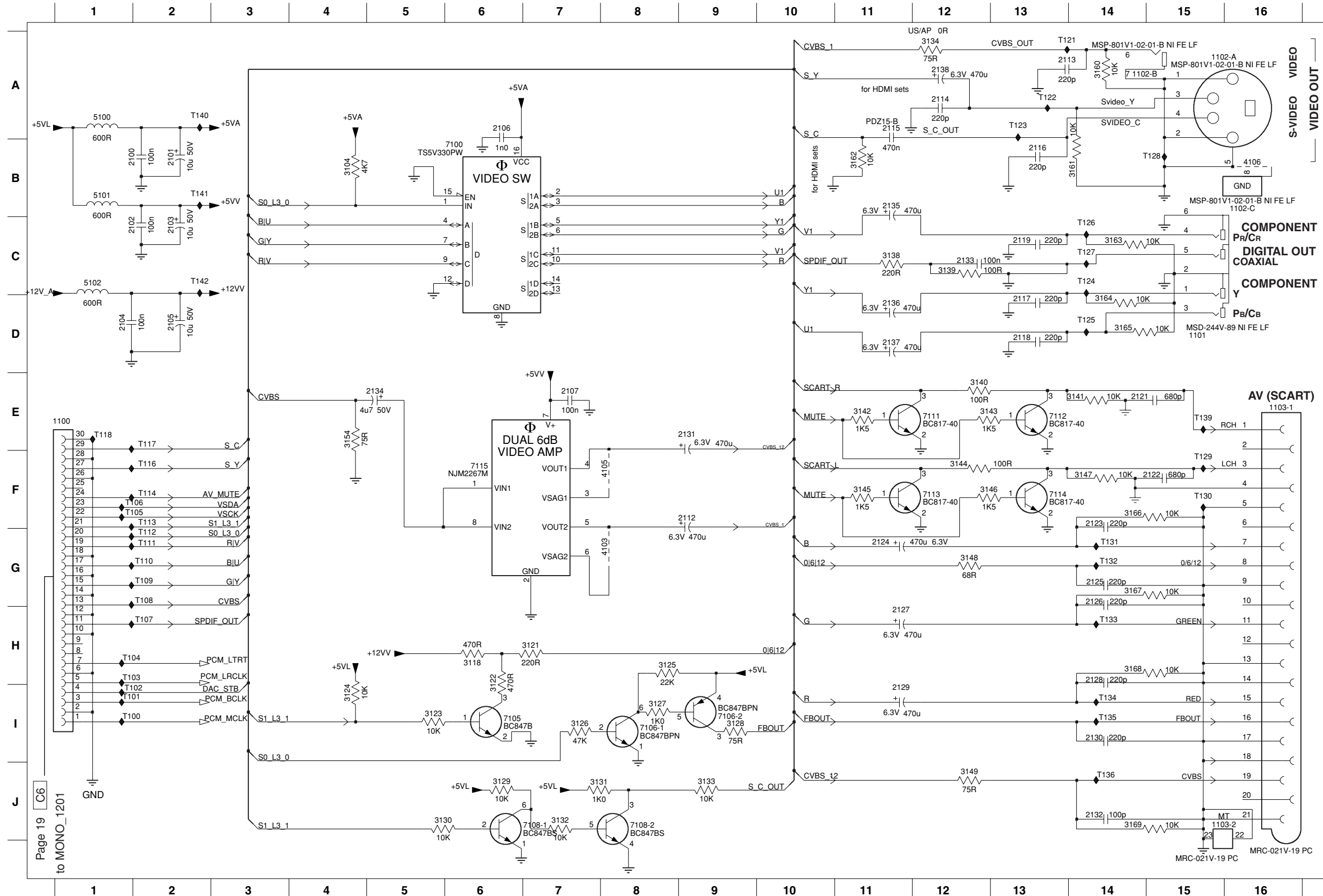
- 1301 D9
- 1302 F8
- 2301 C5
- 2312 A10
- 2313 C6
- 2314 C7
- 2315 A9
- 2320 B7
- 2321 D2
- 2322 E6
- 2323 G6
- 2324 F1
- 2325 F6
- 2326 F6
- 2327 G7
- 2328 G7
- 2329 G6
- 2330 F8
- 2331 F8
- 2332 H3
- 2333 A2
- 3301 C7
- 3302 D6
- 3303 D2
- 3304 D2
- 3305 E2
- 3306 E2
- 3307 A10
- 3309 E2
- 3310 E2
- 3311 E2
- 3312 E2
- 3313 F2
- 3316 F2
- 3317 F2
- 3318 F2
- 3319 F2
- 3320 F2
- 3321 G2
- 3322 G2
- 3323 G2
- 3324 H5
- 3325 D6
- 3326 A7
- 3327 H4
- 3328 H4
- 3329 H5
- 3330 H5
- 3331 B6
- 3332 H3
- 3333 A8
- 3335 B7
- 3336 B8
- 3337 B7
- 3338 B6
- 3339 B10
- 3340 B11
- 4302 G6
- 5303 A10
- 5304 E1
- 5306 F7
- 5307 F8
- 5308 H3
- 7301 E4
- 7302 B10
- 7303-1 A1
- 7303-2 B1
- 7303-3 B1
- 7303-4 C1
- 7304-1 I4
- 7304-2 I4
- 7305 A8
- 7307 B8
- 7308 B7
- T301 C7
- T302 C7
- T303 D4
- T304 D4
- T305 D4
- T306 D5
- T307 G3
- T308 G4

★ Components having special characteristics are marked Δ and must be replaced with parts having specifications equal to those originally installed.
 ★ Schematic diagram is subject to change without notice.

The first digit of a component indicates the component type.

1xxx : Connector 3xxx : Resistor 5xxx : Coil 7xxx : IC, Transistor, FET
 2xxx : Capacitor 4xxx : SMD jumper 6xxx : Diode 9xxx : Wire jumper

AV 1/2

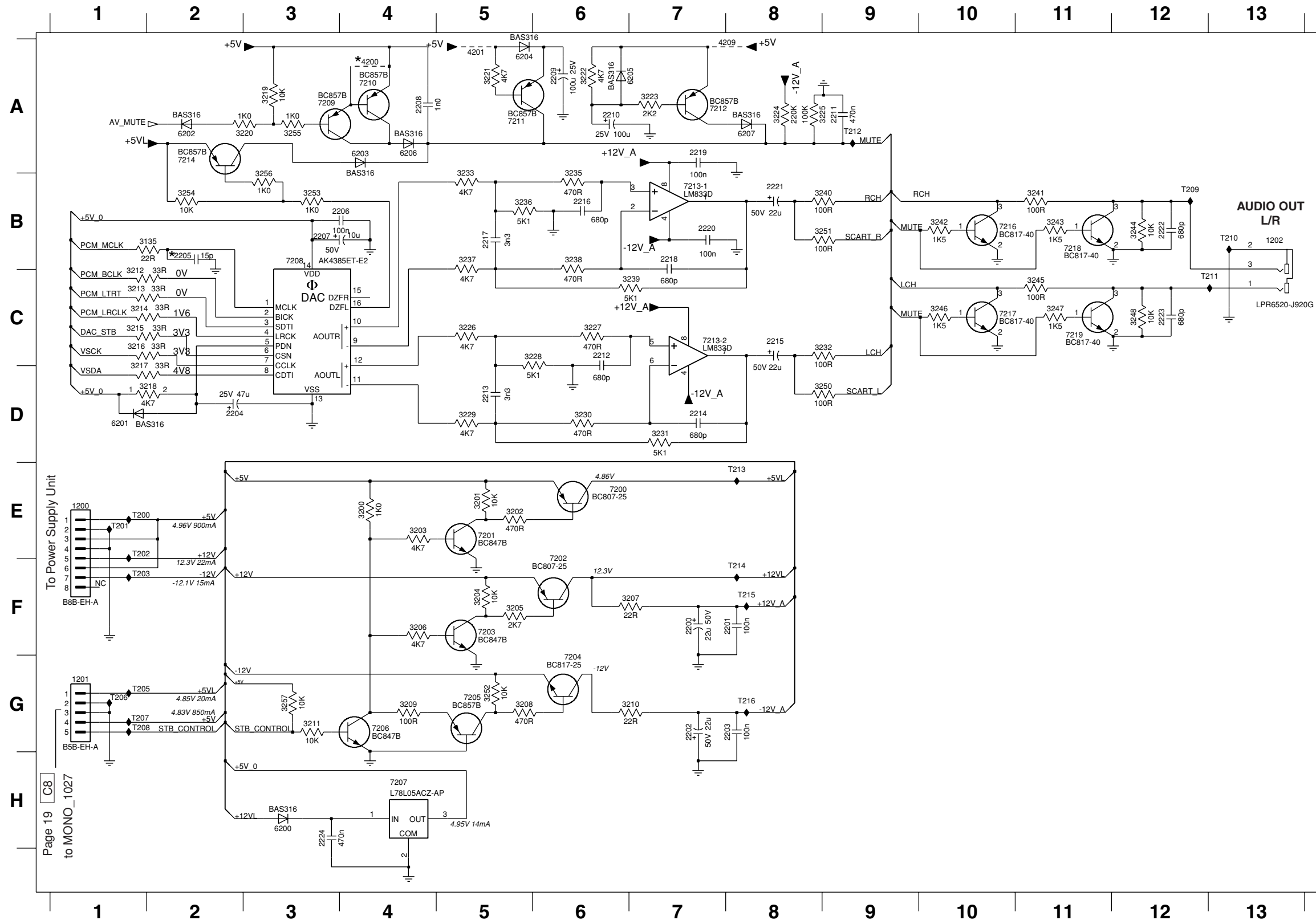


| | |
|------------|-----------|
| 1100 E1 | 5102 C1 |
| 1101 D16 | 7100 B6 |
| 1102-A A16 | 7105 I6 |
| 1102-B A14 | 7106-1 I8 |
| 1102-C B16 | 7106-2 I9 |
| 1103-1 E16 | 7108-1 J7 |
| 1103-2 J15 | 7108-2 J8 |
| 2100 B2 | 7111 E12 |
| 2101 B2 | 7112 E13 |
| 2102 C2 | 7113 F12 |
| 2103 C2 | 7114 F13 |
| 2104 D1 | 7115 F6 |
| 2105 D2 | T100 I1 |
| 2106 A6 | T101 I1 |
| 2107 E7 | T102 I2 |
| 2112 F9 | T103 H1 |
| 2113 A13 | T104 H1 |
| 2114 A12 | T105 F2 |
| 2115 A11 | T106 F2 |
| 2116 B13 | T107 H2 |
| 2117 D13 | T108 G2 |
| 2118 D13 | T109 G2 |
| 2119 C13 | T110 G2 |
| 2121 E14 | T111 G2 |
| 2122 F15 | T112 G2 |
| 2123 F14 | T113 F2 |
| 2124 G11 | T114 F2 |
| 2125 G14 | T116 F2 |
| 2126 G14 | T117 E2 |
| 2127 H11 | T118 E1 |
| 2128 H14 | T121 A13 |
| 2129 I11 | T122 A13 |
| 2130 I14 | T123 A13 |
| 2131 E9 | T124 C14 |
| 2132 J14 | T125 D14 |
| 2133 C12 | T126 C14 |
| 2134 E5 | T127 C14 |
| 2135 B11 | T128 B15 |
| 2136 D11 | T129 F15 |
| 2137 D11 | T130 F15 |
| 2138 A12 | T131 G14 |
| 3104 B4 | T132 G14 |
| 3118 H6 | T133 H14 |
| 3121 H7 | T134 I14 |
| 3122 H6 | T135 I14 |
| 3123 I5 | T136 J14 |
| 3124 I4 | T139 E15 |
| 3125 H8 | T140 A2 |
| 3126 I7 | T141 B2 |
| 3127 I8 | T142 C2 |
| 3128 I9 | |
| 3129 J6 | |
| 3130 J5 | |
| 3131 J7 | |
| 3132 J7 | |
| 3133 J9 | |
| 3134 A12 | |
| 3138 C11 | |
| 3139 C12 | |
| 3140 E12 | |
| 3141 E14 | |
| 3142 E11 | |
| 3143 E12 | |
| 3144 F12 | |
| 3145 F11 | |
| 3146 F12 | |
| 3147 F14 | |
| 3148 G12 | |
| 3149 J12 | |
| 3154 E4 | |
| 3160 A14 | |
| 3161 B14 | |
| 3162 B11 | |
| 3163 C14 | |
| 3164 D14 | |
| 3165 D14 | |
| 3166 F14 | |
| 3167 G14 | |
| 3168 H14 | |
| 3169 J14 | |
| 4103 G8 | |
| 4105 F8 | |
| 4106 B16 | |
| 5100 A1 | |
| 5101 B1 | |

* Components having special characteristics are marked with a triangle and must be replaced with parts having specifications equal to those originally installed.
 * Schematic diagram is subject to change without notice.

The first digit of a component indicates the component type.

1xxx : Connector 3xxx : Resistor 5xxx : Coil 7xxx : IC, Transistor, FET
 2xxx : Capacitor 4xxx : SMD jumper 6xxx : Diode 9xxx : Wire jumper



- | | |
|----------|-----------|
| 1200 E1 | 3256 B3 |
| 1201 G1 | 3257 G3 |
| 1202 B13 | 4200 A4 |
| 2200 F7 | 4201 A5 |
| 2201 F8 | 4209 A8 |
| 2202 G7 | 6200 H3 |
| 2203 G8 | 6201 D1 |
| 2204 D2 | 6202 A2 |
| 2205 B2 | 6203 A4 |
| 2206 B4 | 6204 A5 |
| 2207 B3 | 6205 A6 |
| 2208 A4 | 6206 A4 |
| 2209 A6 | 6207 A8 |
| 2210 A6 | 7200 E6 |
| 2211 A9 | 7201 E5 |
| 2212 C6 | 7202 F6 |
| 2213 D5 | 7203 F5 |
| 2214 D7 | 7204 G6 |
| 2215 C8 | 7205 G5 |
| 2216 B6 | 7206 G4 |
| 2217 B5 | 7207 H4 |
| 2218 B7 | 7208 B3 |
| 2219 A7 | 7209 A3 |
| 2220 B7 | 7210 A4 |
| 2221 B8 | 7211 A5 |
| 2222 B12 | 7212 A7 |
| 2223 C12 | 7213-1 B7 |
| 2224 H3 | 7213-2 C7 |
| 3135 B2 | 7214 A2 |
| 3200 E4 | 7216 B10 |
| 3201 E5 | 7217 C10 |
| 3202 E5 | 7218 B11 |
| 3203 E4 | 7219 C11 |
| 3204 F5 | T200 E1 |
| 3205 F5 | T201 E1 |
| 3206 F4 | T202 E1 |
| 3207 F7 | T203 F1 |
| 3208 G5 | T205 G1 |
| 3209 G4 | T206 G1 |
| 3210 G7 | T207 G1 |
| 3211 G3 | T208 G1 |
| 3212 C1 | T209 B12 |
| 3213 C1 | T210 B13 |
| 3214 C1 | T211 C13 |
| 3215 C1 | T212 A9 |
| 3216 C1 | T213 E8 |
| 3217 D1 | T214 F8 |
| 3218 D2 | T215 F8 |
| 3219 A3 | T216 G8 |
| 3220 A3 | |
| 3221 A5 | |
| 3222 A6 | |
| 3223 A7 | |
| 3224 A8 | |
| 3225 A8 | |
| 3226 C5 | |
| 3227 C6 | |
| 3228 C6 | |
| 3229 D5 | |
| 3230 D6 | |
| 3231 D7 | |
| 3232 C9 | |
| 3233 B5 | |
| 3235 B6 | |
| 3236 B5 | |
| 3237 B5 | |
| 3238 B6 | |
| 3239 C7 | |
| 3240 B9 | |
| 3241 B11 | |
| 3242 B10 | |
| 3243 B11 | |
| 3244 B12 | |
| 3245 C11 | |
| 3246 C10 | |
| 3247 C11 | |
| 3248 C12 | |
| 3250 D9 | |
| 3251 B9 | |
| 3252 G5 | |
| 3253 B3 | |
| 3254 B2 | |
| 3255 A3 | |

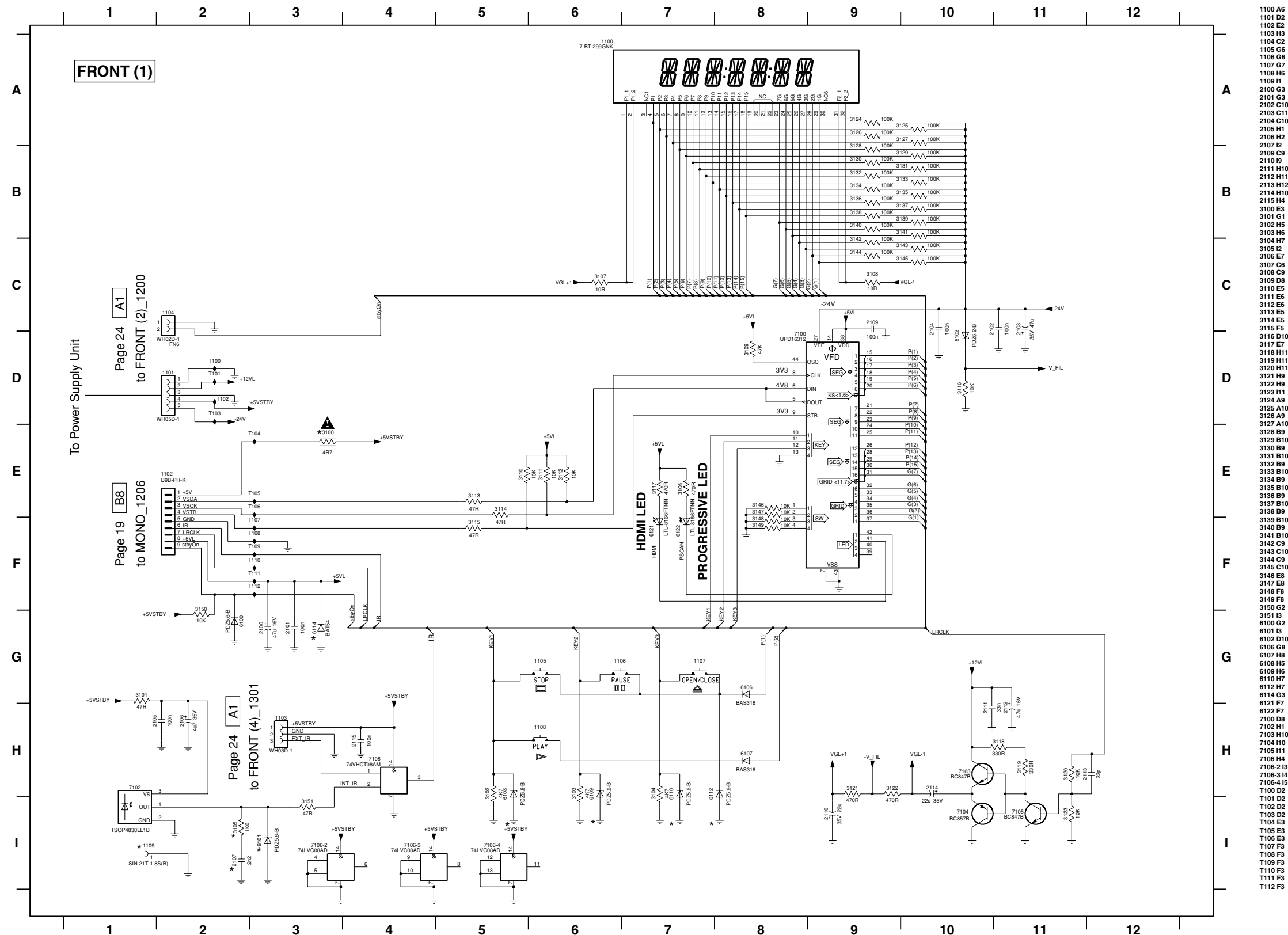
* OPTION

★ Components having special characteristics are marked Δ and must be replaced with parts having specifications equal to those originally installed.
 ★ Schematic diagram is subject to change without notice.

The first digit of a component indicates the component type.

1xxx : Connector 3xxx : Resistor 5xxx : Coil 7xxx : IC, Transistor, FET
 2xxx : Capacitor 4xxx : SMD jumper 6xxx : Diode 9xxx : Wire jumper

FRONT 1/2

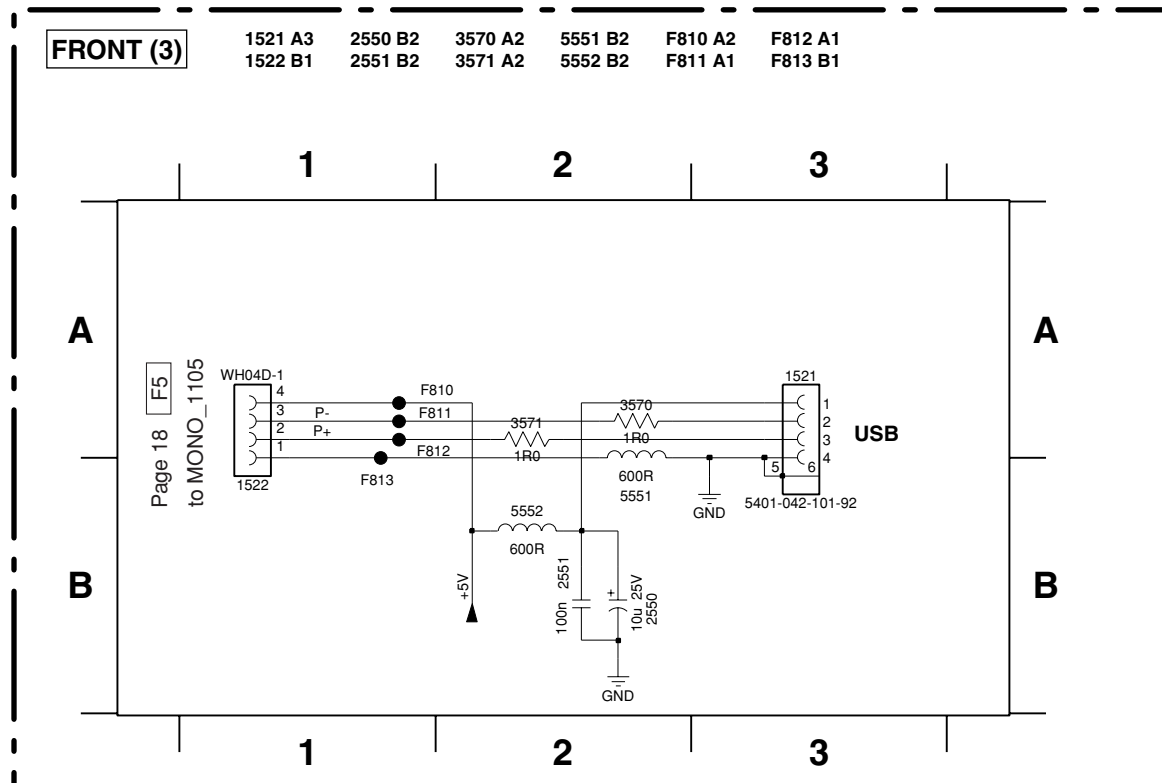
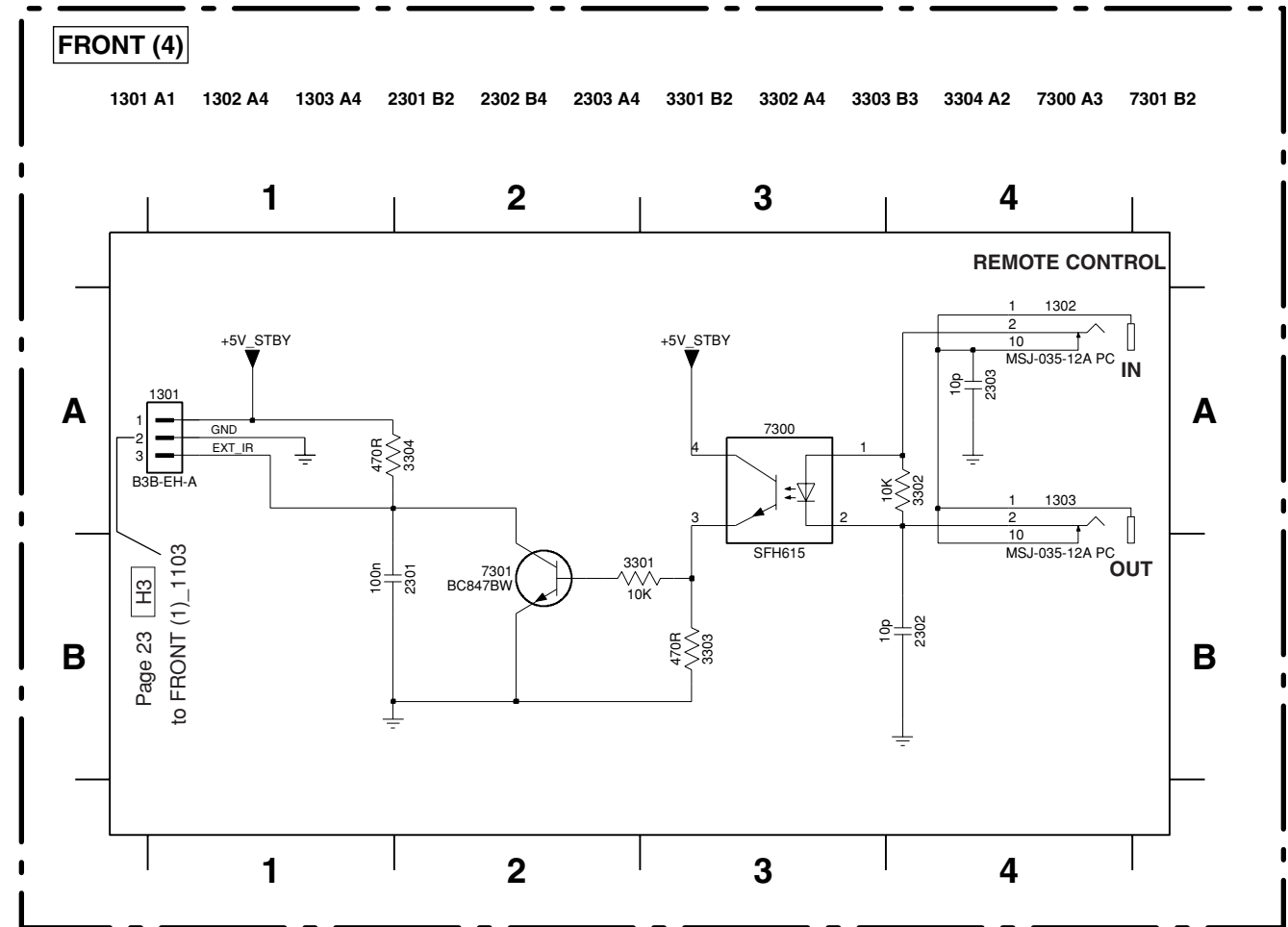
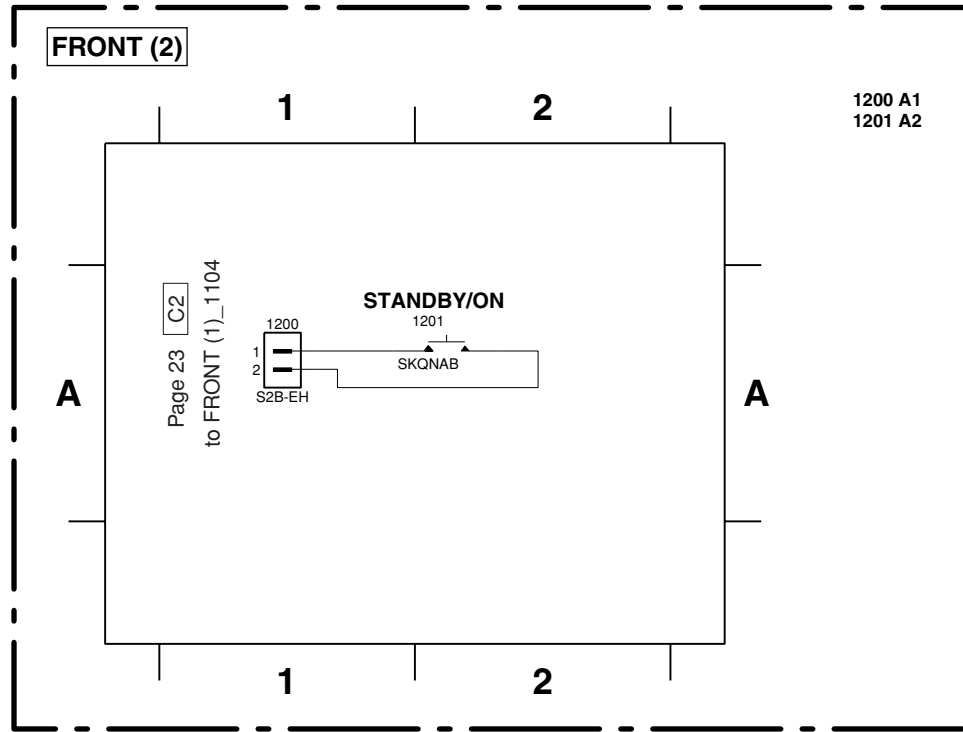


★ Components having special characteristics are marked Δ and must be replaced with parts having specifications equal to those originally installed.
 ★ Schematic diagram is subject to change without notice.

FRONT 2/2

The first digit of a component indicates the component type.

- 1xxx : Connector 3xxx : Resistor 5xxx : Coil 7xxx : IC, Transistor, FET
- 2xxx : Capacitor 4xxx : SMD jumper 6xxx : Diode 9xxx : Wire jumper



★ Components having special characteristics are marked Δ and must be replaced with parts having specifications equal to those originally installed.
 ★ Schematic diagram is subject to change without notice.


MEMO

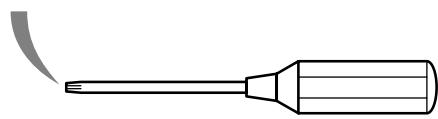
MEMO








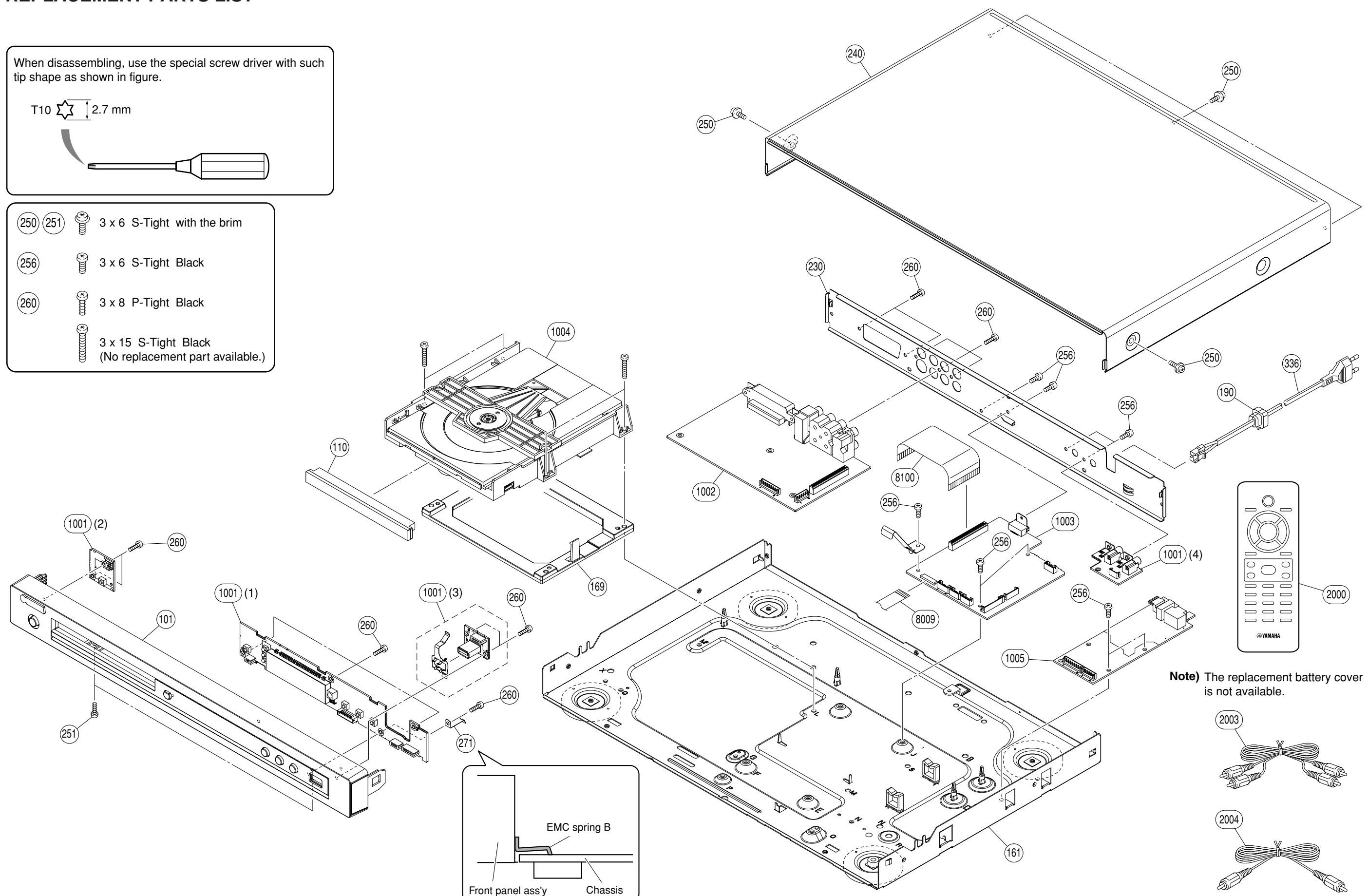
REPLACEMENT PARTS LIST

When disassembling, use the special screw driver with such tip shape as shown in figure.

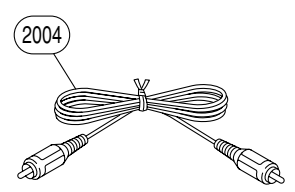
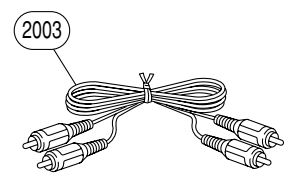
T10  2.7 mm



-   3 x 6 S-Tight with the brim
-  3 x 6 S-Tight Black
-  3 x 8 P-Tight Black
-  3 x 15 S-Tight Black
(No replacement part available.)



Note) The replacement battery cover is not available.



■ **WARNING**

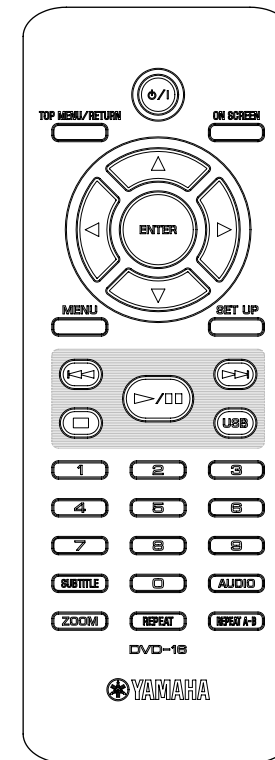
- Components having special characteristics are marked Δ and must be replaced with parts having specifications equal to those originally installed.

| Ref. No. | Part No. | Description | Remarks | Markets |
|----------|----------|--------------------------------------|---------------------|----------------|
| * | 101 | AAX82190 FRONT PANEL ASS'Y | BL | 3141 079 41521 |
| * | 101 | AAX82200 FRONT PANEL ASS'Y | TI | 3141 079 41531 |
| * | 101 | AAX82210 FRONT PANEL ASS'Y | SI | 3141 079 41541 |
| | 110 | AAX77810 TRAY COVER ASS'Y | | 3141 079 37091 |
| | 161 | AAX77820 FRAME ASS'Y | | 3141 079 37101 |
| | 169 | AAX77860 BRACKET | | 3139 244 10241 |
| | 190 | AAX53540 BUSH | 450H259010 | 3139 114 26671 |
| * | 230 | AAX82290 REAR PANEL | S661 | 3139 241 26441 |
| | 240 | AAX58270 TOP COVER | BL | 3139 247 59051 |
| | 240 | AAX58290 TOP COVER | TI, SI | 3139 241 22191 |
| | 250 | AAX55450 PW HEAD TORX S-TIGHT SCREW | BL 3x6-8 MFZN2B | 3139 110 40611 |
| | 250 | AAX53440 PW HEAD TORX S-TIGHT SCREW | TI,SI 3x6-8 MFN133 | 3104 120 40081 |
| | 251 | AAX55450 PW HEAD TORX S-TIGHT SCREW | 3x6-8 MFZN2B | 3139 110 40611 |
| | 256 | AAX23640 PAN HEAD TORX S-TIGHT SCREW | 3x6 MFZN2B | 2511 077 00039 |
| | 260 | AAX53520 PAN HEAD TORX P-TIGHT SCREW | 3x8 MFZN2B | 2511 076 50012 |
| | 271 | AAX69600 EMC SPRING B | | 3139 241 00042 |
| Δ | 336 | AAX53630 POWER CABLE | 1.8m | 2422 070 98231 |
| * | 1001 | AAX82180 P.C.B. ASS'Y | FRONT | 3139 248 51812 |
| * | 1002 | AAX82360 P.C.B. ASS'Y | AV | 3139 248 52351 |
| * | 1003 | AAX82170 P.C.B. ASS'Y | MONO DVM91USB | 3139 248 51821 |
| | 1004 | AAX79060 DVD MECHANISM UNIT | WXD8829 | 3139 247 13341 |
| Δ | 1005 | AAX79050 POWER SUPPLY UNIT | O6P15 | 3139 247 13351 |
| | 8009 | AAX53460 FLEXIBLE FLAT CABLE | 24P 280mm P=0.5mm | 3139 241 00391 |
| | 8100 | AAX77800 FLEXIBLE FLAT CABLE | 30P 60mm P=1.25mm | 3139 241 02491 |
| | | ACCESSORIES | | |
| * | 2000 | AAX82300 REMOTE CONTROL | DVD-16 | 2422 549 01442 |
| | 2003 | AAX21980 AUDIO PIN CABLE | RD/WH 1.5m 1pc | 3103 308 92611 |
| | 2004 | AAX22970 VIDEO PIN CABLE | YE 1.5m 1pc | 3104 108 45432 |
| | | BATTERY | AAA, R03, UM-4 2pcs | |

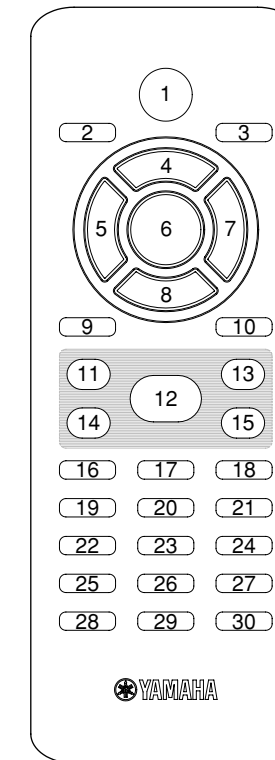
* New Parts

■ **REMOTE CONTROL DVD-16**

• **PANEL**



• **KEY NO. LAYOUT**



• **KEY CODE**

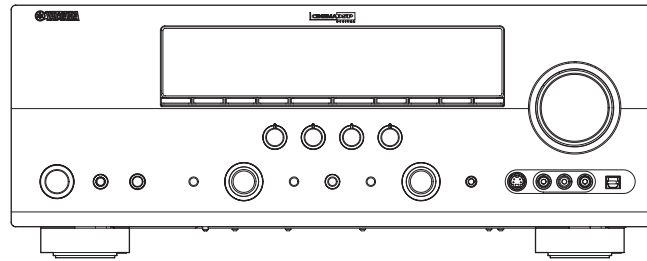
| No. | Key label | Code |
|-----|---------------------|-------|
| 1 | STANDBY (POWER) | 7C-80 |
| 2 | TOP MENU/RETURN | 7C-B1 |
| 3 | ON SCREEN | 7C-A6 |
| 4 | ▲ (UP) | 7C-B4 |
| 5 | ◀ (LEFT) | 7C-B5 |
| 6 | ENTER | 7C-B8 |
| 7 | ▶ (RIGHT) | 7C-B6 |
| 8 | ▼ (DOWN) | 7C-B3 |
| 9 | MENU | 7C-B2 |
| 10 | SET UP | 7C-AC |
| 11 | ◀◀ (SKIP) / SEARCH- | 7C-B9 |
| 12 | ▶▶ (PLAY/PAUSE) * | 7C-92 |
| 13 | ▶▶ (SKIP) / SEARCH+ | 7C-BA |
| 14 | ■ (STOP) | 7C-85 |
| 15 | USB | 7C-E6 |
| 16 | 1 | 7C-94 |
| 17 | 2 | 7C-95 |
| 18 | 3 | 7C-96 |
| 19 | 4 | 7C-97 |
| 20 | 5 | 7C-98 |
| 21 | 6 | 7C-99 |
| 22 | 7 | 7C-9A |
| 23 | 8 | 7C-9B |
| 24 | 9 | 7C-9C |
| 25 | SUBTITLE | 7C-AA |
| 26 | 0 | 7C-93 |
| 27 | AUDIO | 7C-AD |
| 28 | ZOOM | 7C-D7 |
| 29 | REPEAT | 7C-A3 |
| 30 | REPEAT A-B | 7C-A4 |

* Possible receiving
PLAY : 7C-82
PAUSE : 7C-83

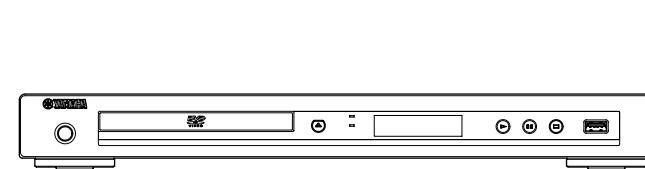
■ SCENE CONTROL

• Example of connection

RECEIVER/AMPLIFIER
(Model with SCENE function)

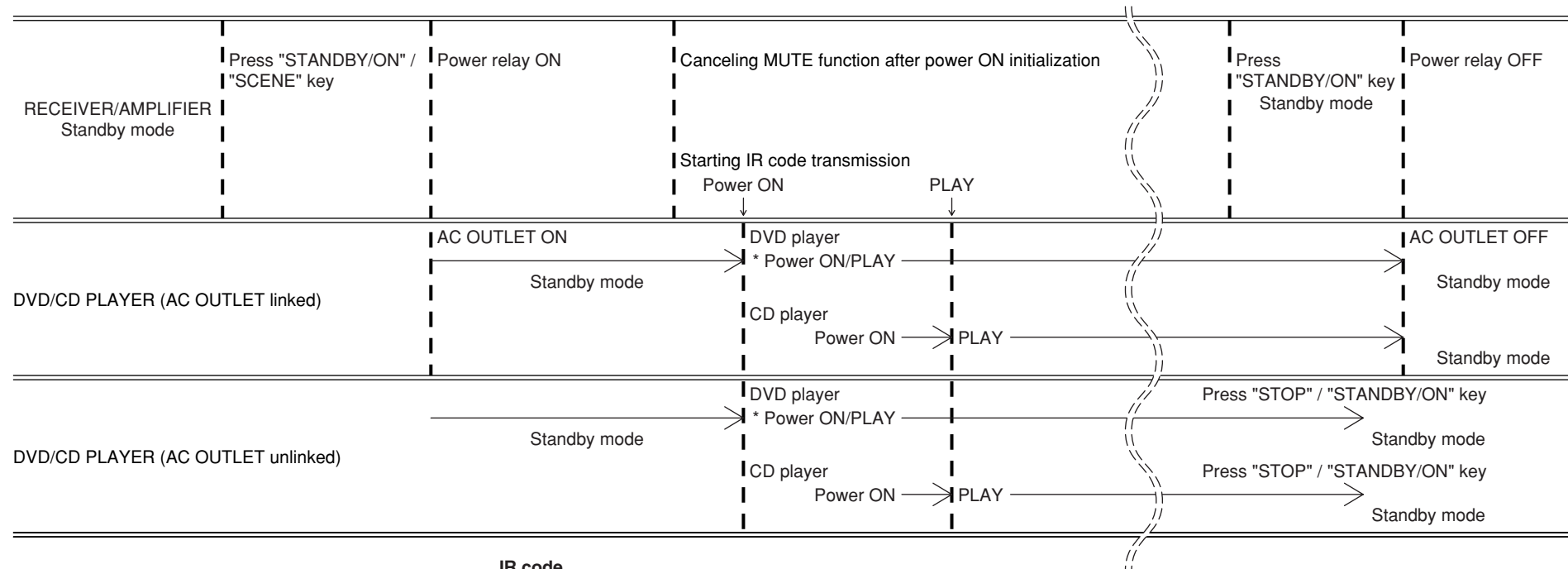


DVD/CD PLAYER
(Model with SCENE control signal reception function)



REMOTE CONTROL OUT → REMOTE CONTROL IN
Monaural analog mini cable

• SCENE control



IR code

| | Power ON | PLAY |
|-----|---------------------|-------|
| DVD | * 7C-82 [PLAY code] | - |
| CD | 79-7E | 79-02 |

* When the DVD player receives the IR code [PLAY], the power is turned on and the disc is played at the same time.